

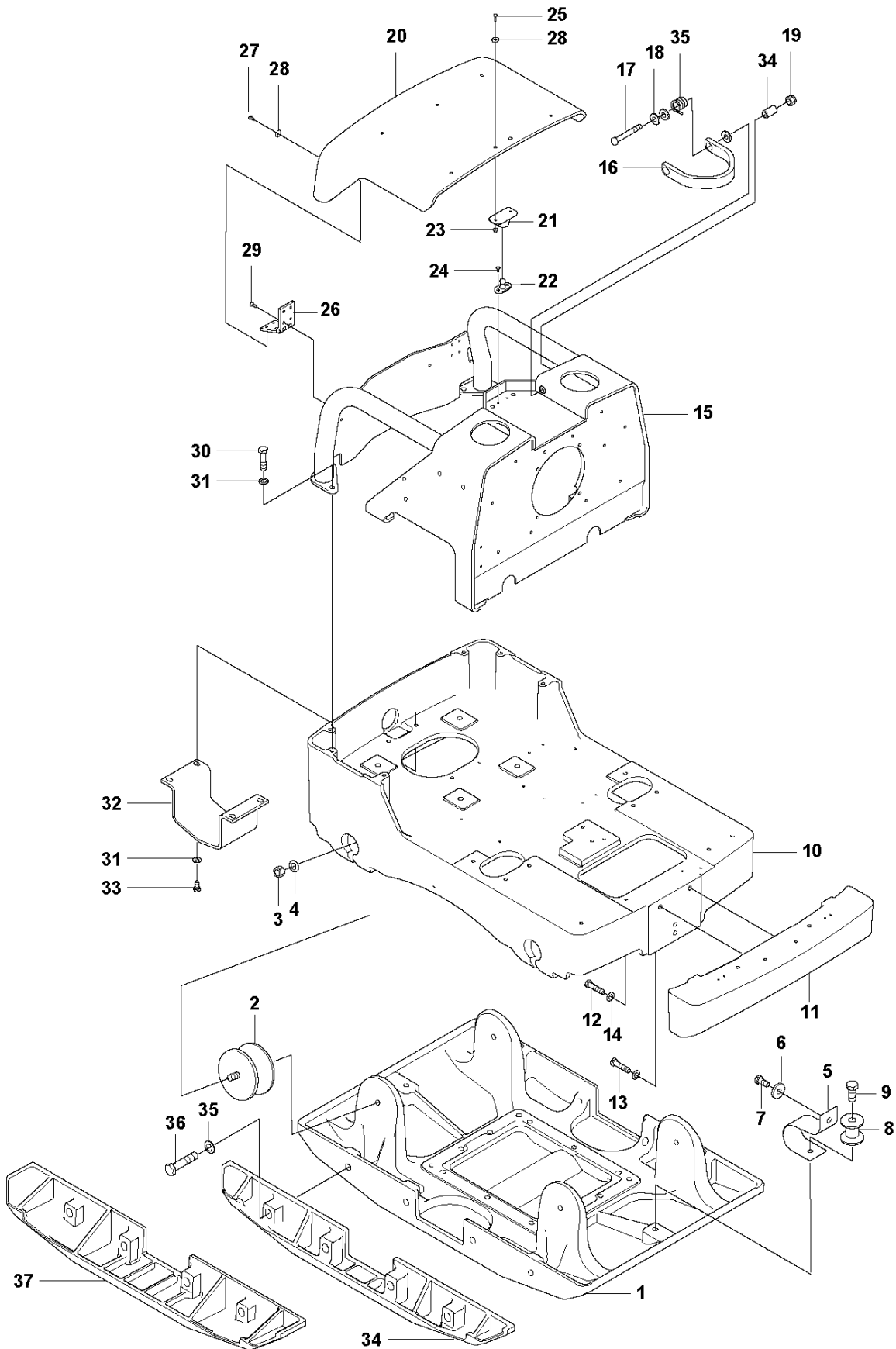


SPARE PARTS LIST

LIGHT COMPACTION

LH 804, 967897301, 967897302,
967897303, 967897304, 2019-09

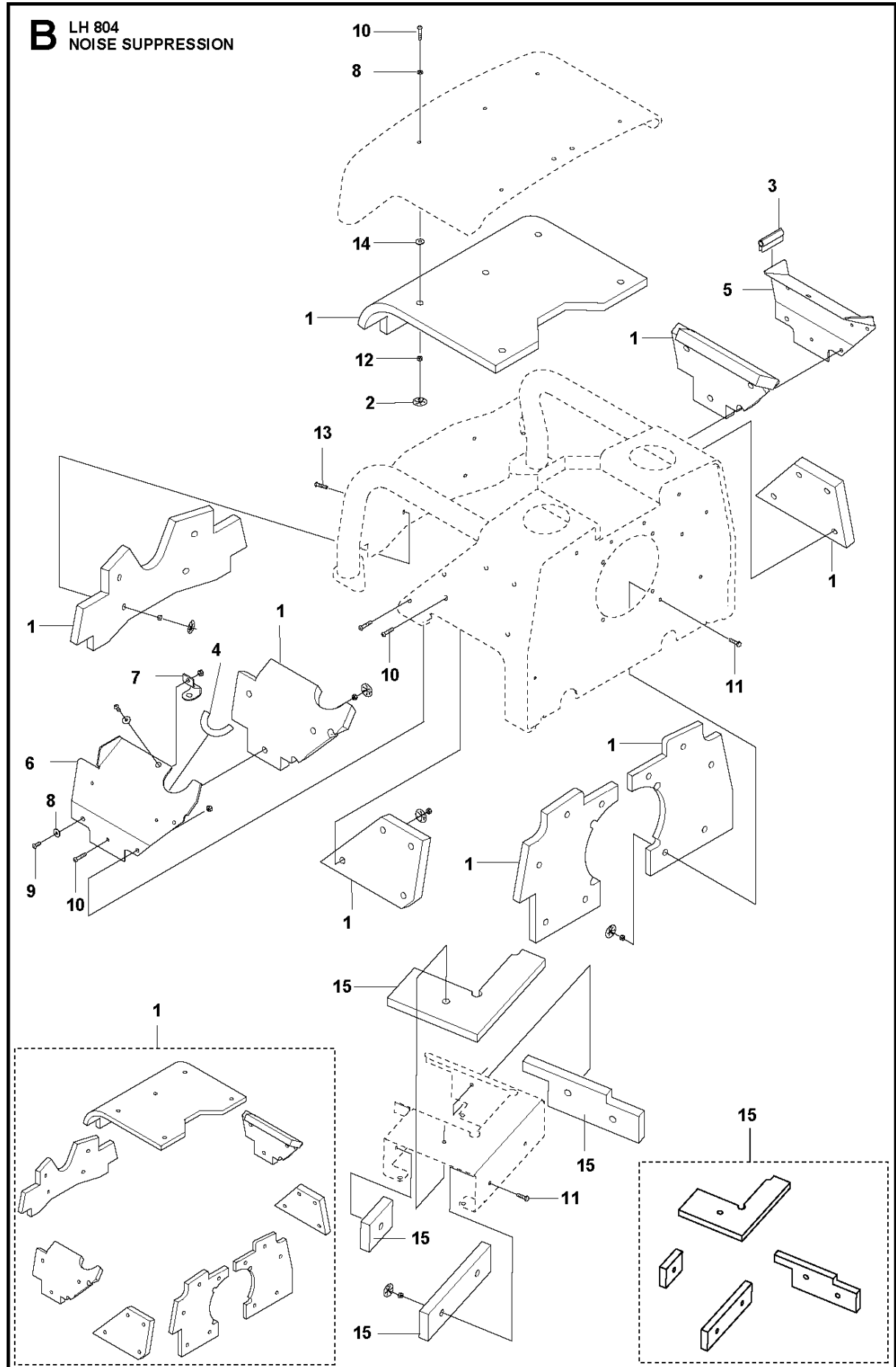
A LH 804
GROUND PLATE, ENGINE PLATE & FRAME



GROUND PLATE, ENGINE PLATE & FRAME
967897304, 2019-09

LH 804, 967897301, 967897302, 967897303,

Ref	Part No	Description	Remark	QTY KIT
1	594 46 82-01	PLATE		1
2	594 33 62-01	ABSORBER		4
3	595 03 67-01	WASHER		2
4	595 03 58-01	NUT		2
5	594 15 92-01	STRAP		2
6	594 12 40-01	WASHER		2
7	594 60 85-01	SCREW		2
8	595 17 33-01	SLEEVE		2
9	595 98 91-01	SCREW		2
10	595 12 30-01	ENGINE PLATE		1
11	595 12 33-01	SHAFT EXTENSION		1
12	595 03 36-01	SCREW		2
13	594 11 93-01	BOLT		2
14	595 06 68-01	WASHER		4
15	594 96 03-01	FRAME		1
16	594 15 85-01	HANDLE		1
17	595 17 93-01	SCREW		2
18	594 12 11-01	SOCKET		6
19	595 11 27-01	NUT		2
20	594 95 96-01	HOOD		1
21	595 05 30-01	BUMPER		1
22	595 05 31-01	BUMPER		1
23	595 35 24-01	NUT		2
24	595 06 56-01	SCREW		2
25	595 18 73-01	SCREW		2
26	594 44 68-01	HINGE		2
27	595 06 77-01	SCREW		8
28	594 53 51-01	WASHER		10
29	594 53 49-01	SCREW		8
30	595 19 33-01	SCREW		8
31	594 74 74-01	WASHER		12
32	595 16 00-01	COVER		1
33	594 11 84-01	SCREW		2
34	594 75 16-01	PLATE		2
35	595 06 70-01	WASHER		8
36	595 06 94-01	SCREW		8
37	595 17 34-01	PLATE		2

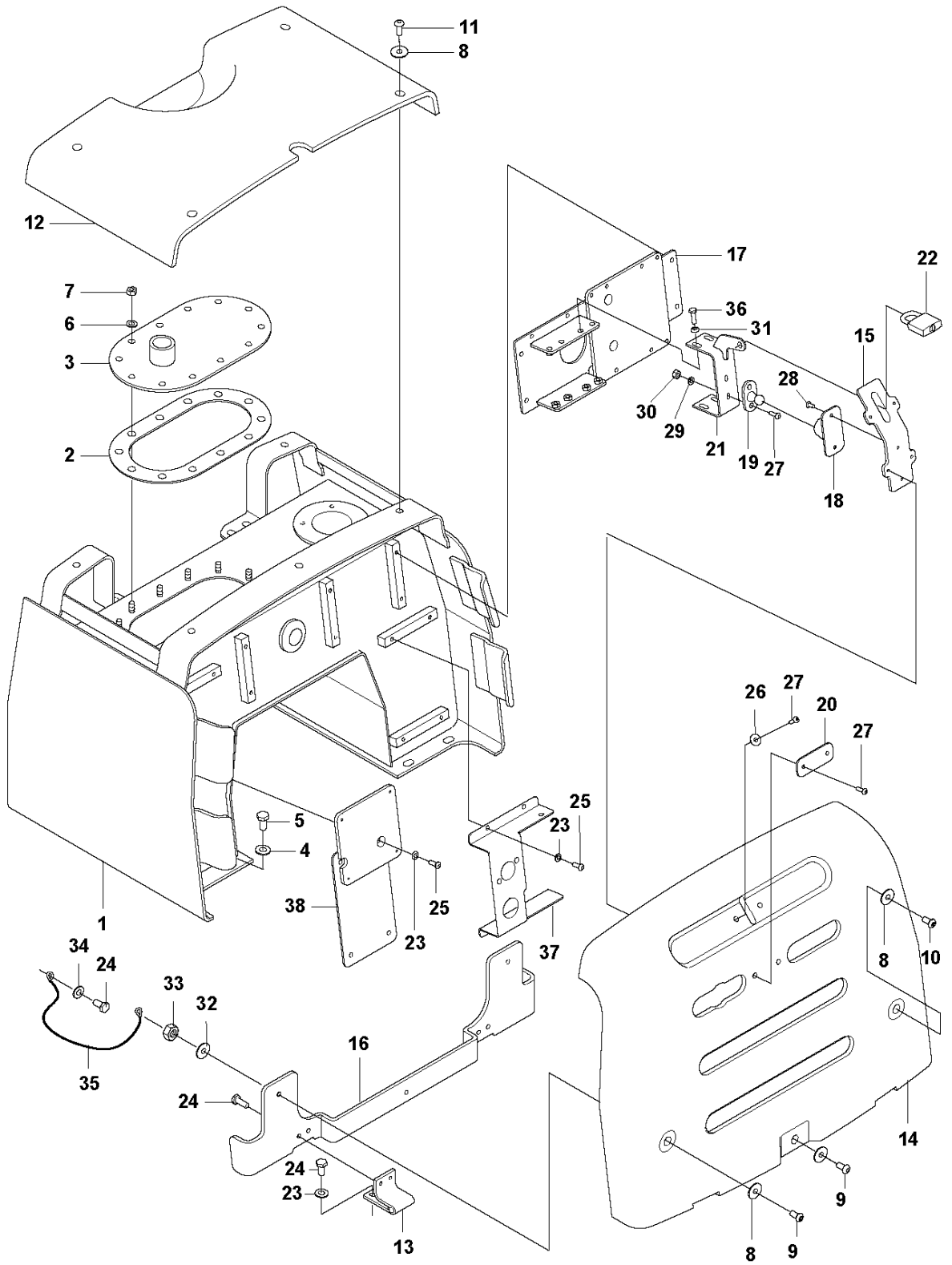


NOISE SUPPRESSION

LH 804, 967897301, 967897302, 967897303, 967897304, 2019-09

Ref	Part No	Description	Remark	QTY KIT
1	598 74 41-01	INSULATION	INSULATION cpl.	1
2	596 70 46-01	WASHER		32
3	595 06 61-02	TRIM		2
4	595 04 82-01	STRIP		1
5	595 27 86-01	PLATE	Plate cover	1
6	595 27 87-01	PLATE	Cover	1
7	595 17 41-01	BRACKET		2
8	594 53 51-01	WASHER		19
9	595 06 64-01	SCREW		4
10	594 53 65-01	SCREW		23
11	595 46 63-01	SCREW		10
12	595 28 75-01	HEXAGON NUT		33
13	594 83 60-01	SCREW		4
14	595 03 65-01	WASHER		5
15	598 74 41-02	INSULATION	INSULATION cpl.	1

C LH 804
HYDRAULIC OIL TANK

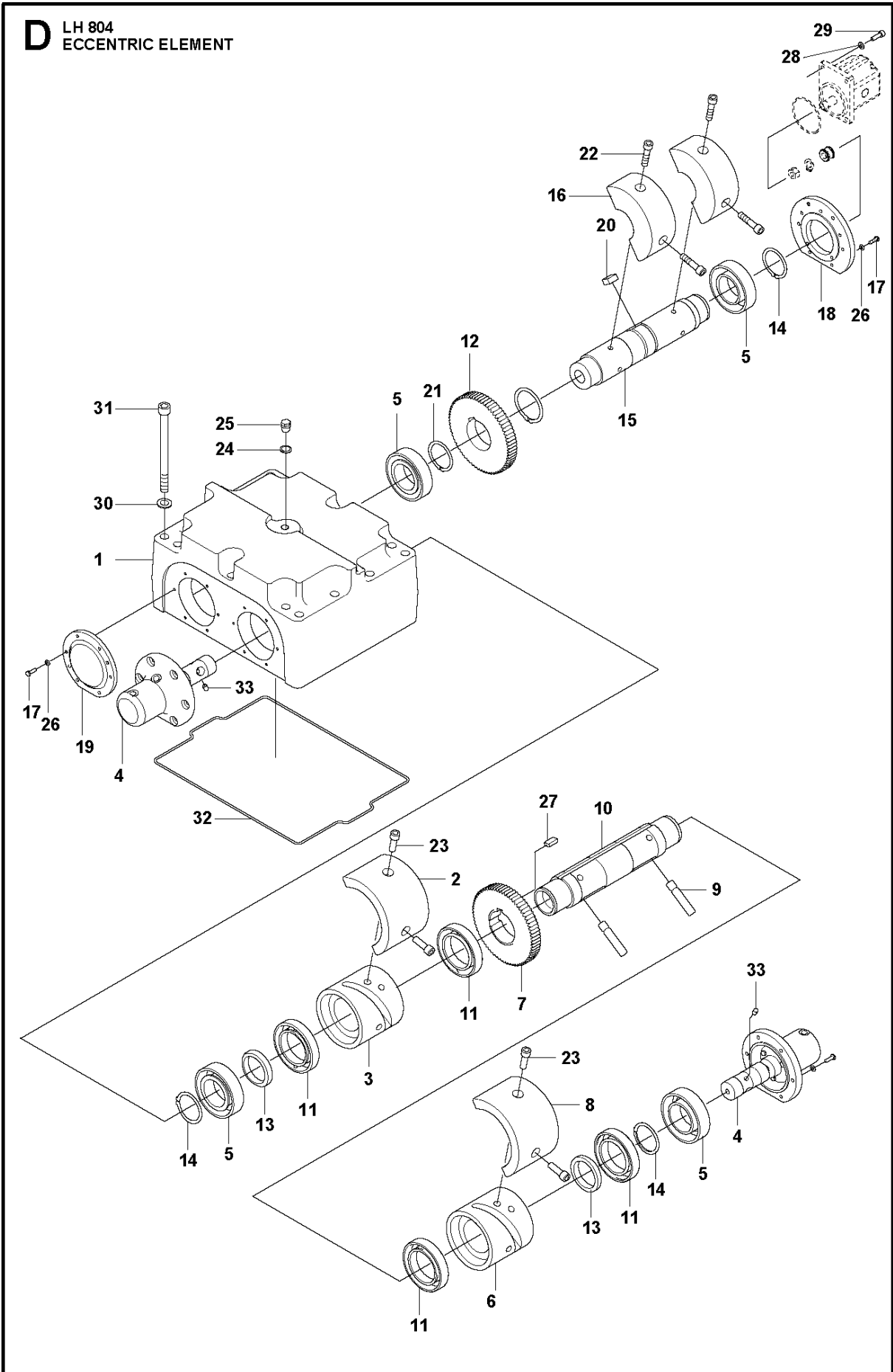


HYDRAULIC OIL TANK

LH 804, 967897301, 967897302, 967897303, 967897304, 2019-09

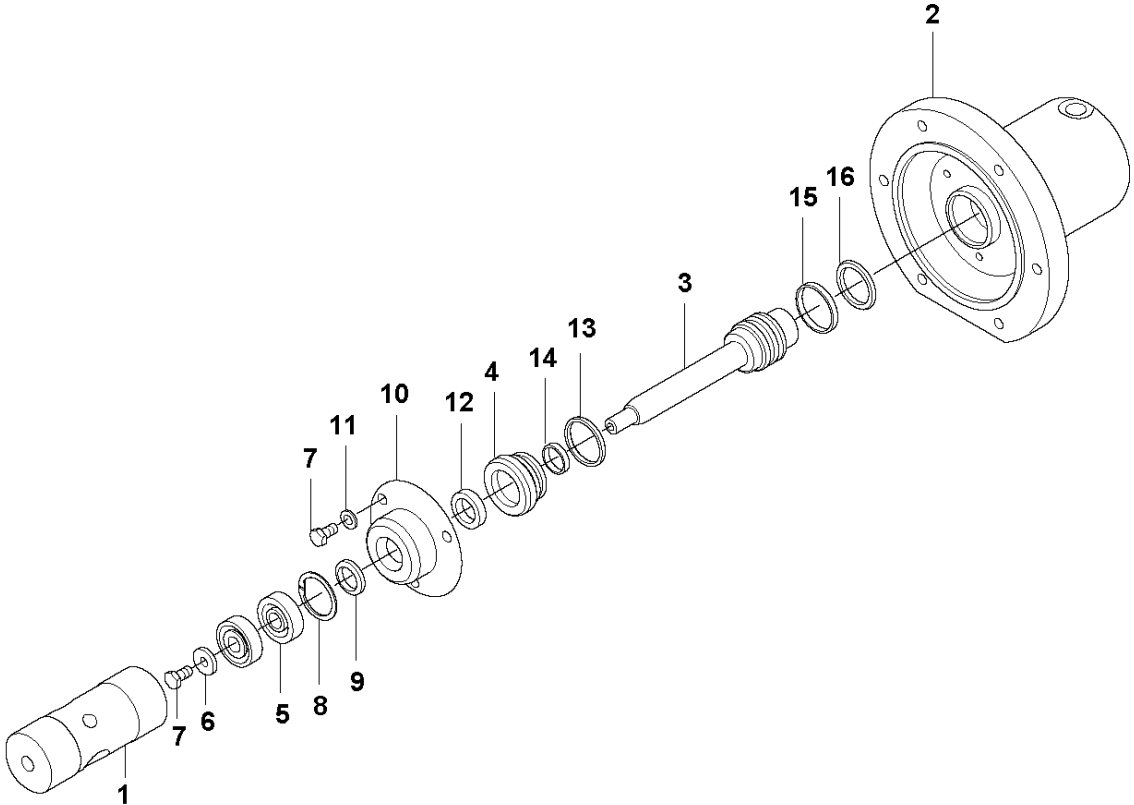
Ref	Part No	Description	Remark	QTY KIT
1	595 27 92-01	HYDRAULIC TANK		1
2	594 35 26-01	GASKET		1
3	595 12 32-01	COVER		1
4	594 74 74-01	WASHER		8
5	594 11 84-01	SCREW		8
6	595 03 66-01	WASHER		12
7	595 03 57-01	NUT		12
8	594 53 52-01	WASHER		7
9	595 18 78-01	SCREW		2
10	598 74 65-01	SCREW		1
11	595 18 36-01	SCREW		6
12	594 95 82-01	COVER		1
13	595 17 40-01	HINGE		2
14	594 95 98-01	HOOD		1
15	595 17 37-01	BRACKET		1
16	595 17 35-01	BRACKET		1
17	595 36 20-01	PLATE		1
18	595 05 30-01	BUMPER		1
19	595 05 31-01	BUMPER		1
20	595 17 36-01	BRACKET		1
21	594 45 23-01	BRACKET		1
22	595 45 63-01	LOCK		1
23	595 03 65-01	WASHER		22
24	595 03 32-01	SCREW		14
25	595 06 64-01	SCREW		14
26	594 53 51-01	WASHER		2
27	595 18 73-01	SCREW		6
28	595 06 56-01	SCREW		2
29	594 12 38-01	PLANE WASHER		2
30	595 99 26-01	NUT		2
31	595 18 19-01	WASHER		4
32	595 06 10-01	WASHER		1
33	595 05 99-01	NUT		1
34	598 18 54-01	WASHER		1
35	595 17 30-01	WIRE		1
36	595 10 98-01	SCREW		4
37	595 36 22-01	PANEL		1
38	595 36 21-01	PLATE		1

D LH 804
ECCENTRIC ELEMENT



Ref	Part No	Description	Remark	QTY KIT
1	595 17 38-01	HOUSING		1
2	595 17 26-01	EXCENTER		1
3	595 05 20-01	SLEEVE		1
4	595 17 47-01	CYLINDER		2
5	594 52 80-01	ROLLER BEARING		4
6	595 17 27-01	SLEEVE		1
7	595 17 31-01	WHEEL		1
8	595 46 31-01	EXCENTER		1
9	595 17 28-01	PIN		2
10	595 46 29-01	SHAFT		1
11	594 25 96-01	BALL BEARING		4
12	594 33 53-01	GEAR WHEEL		1
13	595 46 30-01	SPACER		2
14	594 12 48-01	CIRCLIP		4
15	594 44 89-01	SHAFT		1
16	594 33 52-01	EXCENTER		2
17	595 10 98-01	SCREW		25
18	595 45 36-01	COVER		1
19	595 45 33-01	COVER		1
20	594 33 54-01	KEY		1
21	595 04 59-01	SNAP RING		2
22	595 07 16-01	SOCKET	M12x50	4
23	598 18 49-01	SCREW	M12x35	4
24	595 04 78-01	GASKET		1
25	595 04 83-01	PLUG		1
26	595 03 65-01	WASHER		25
27	595 17 32-01	KEY		2
28	595 03 66-01	WASHER	M08 8,4x16x1,5 300 HV	4
29	595 03 45-01	SCREW		4
30	595 03 67-01	WASHER		14
31	594 53 47-01	SCREW		14
32	594 53 71-01	O-RING		1
33	594 54 65-01	STOP SCREW		2

E LH 804
HYDRAULIC CYLINDER

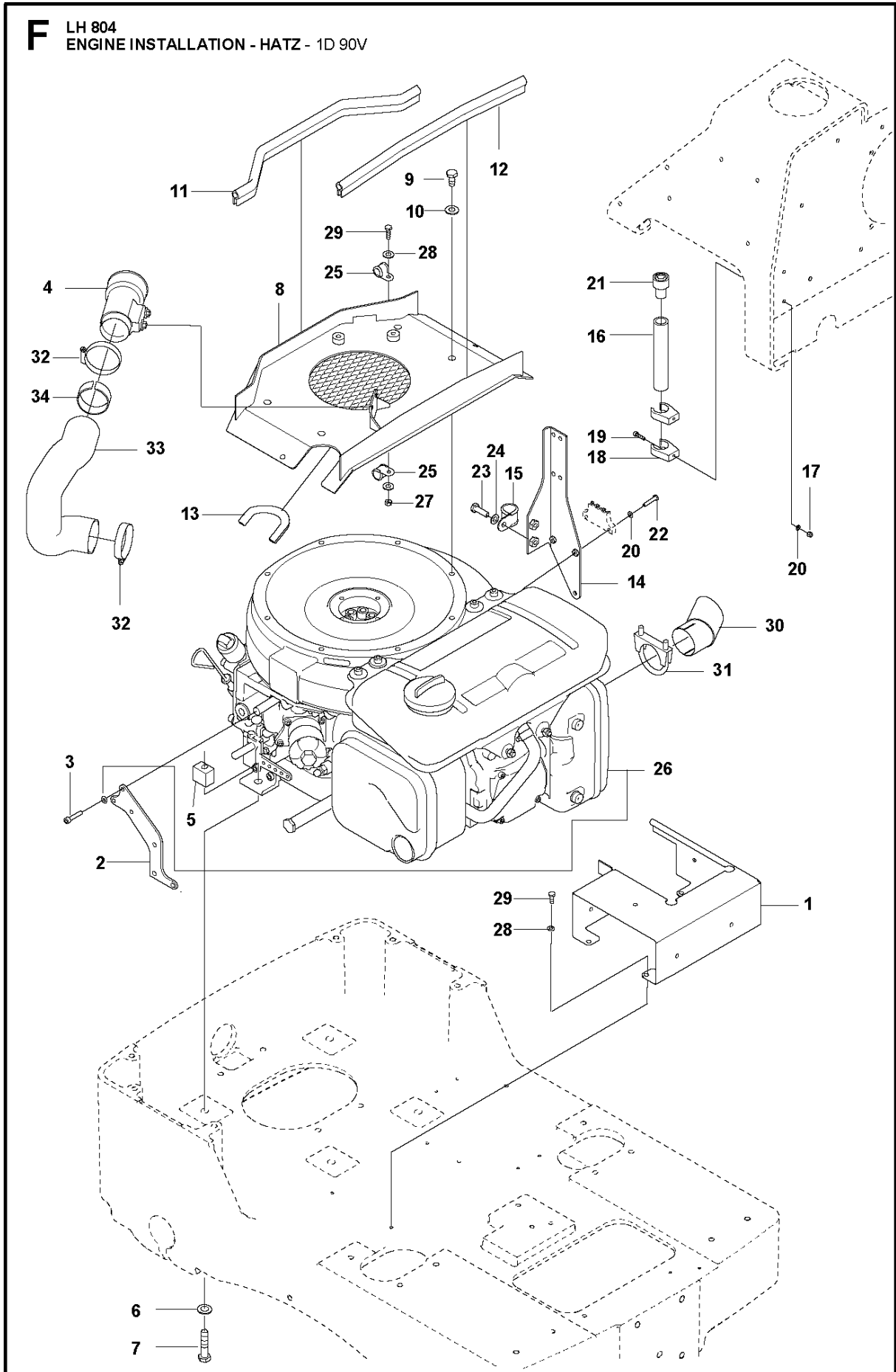


HYDRAULIC CYLINDER

LH 804, 967897301, 967897302, 967897303, 967897304, 2019-09

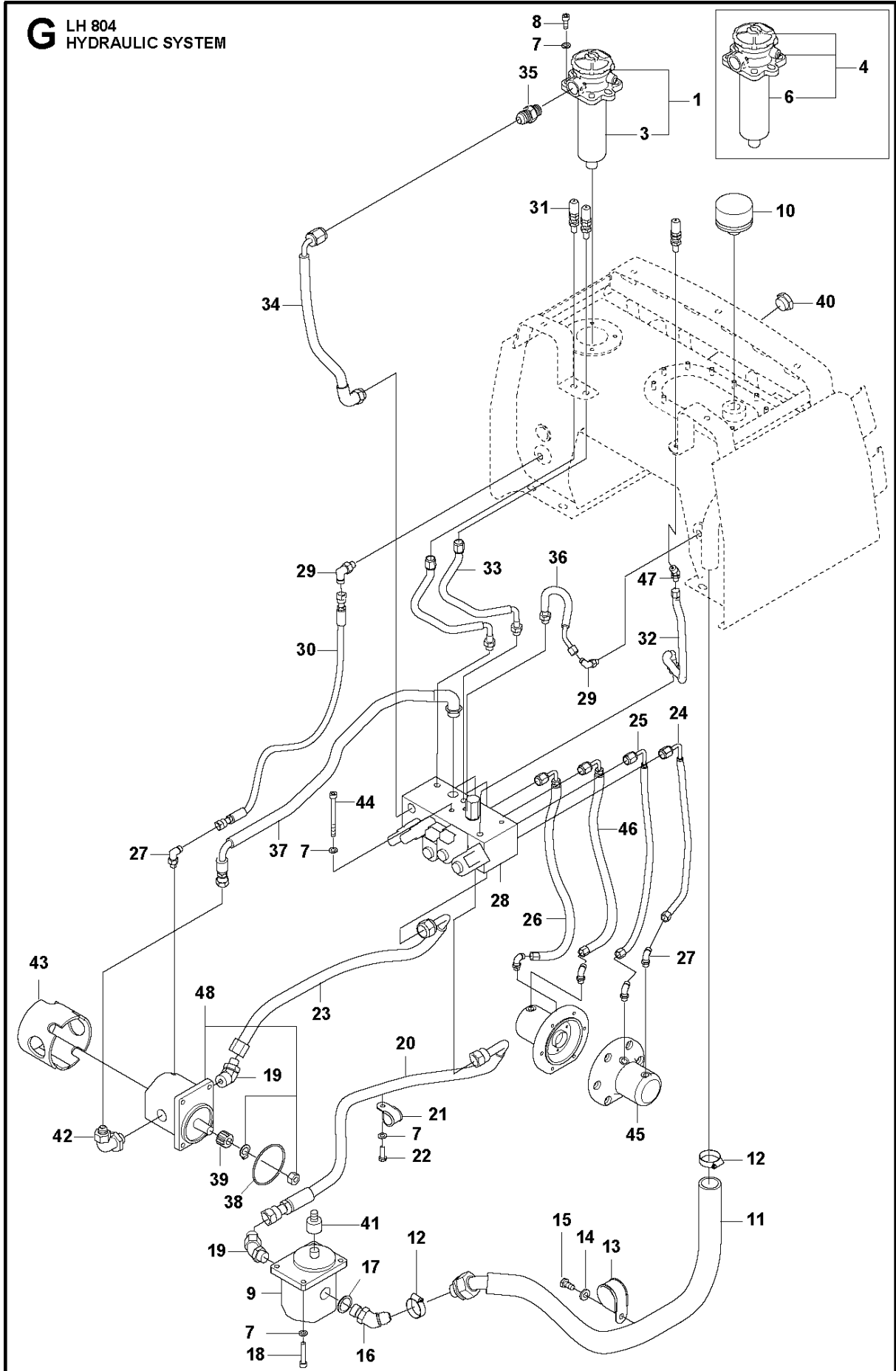
Ref	Part No	Description	Remark	QTY KIT
1	595 52 38-01	PISTON		1
2	595 17 47-01	CYLINDER		1
3	594 82 62-01	ROD		1
4	594 45 89-01	SLEEVE		1
5	594 51 52-01	BALL BEARING		2
6	594 44 62-01	WASHER		1
7	595 34 42-01	SCREW		4
8	595 03 73-01	RING		1
9	594 53 72-01	SHROUD		1
10	595 17 48-01	SLEEVE		1
11	595 03 65-01	WASHER		3
12	594 45 77-01	SHROUD		1
13	595 44 53-01	O-RING		1
14	594 45 78-01	RING		1
15	594 45 75-01	RING		1
16	594 45 76-01	SEALING		1

F LH 804
ENGINE INSTALLATION - HATZ - 1D 90V



ENGINE INSTALLATION - HATZ LH 804, 967897301, 967897302, 967897303, 967897304, 2019-09

Ref	Part No	Description	Remark	QTY KIT
1	594 45 31-01	INLET		1
2	595 17 42-01	BRACKET		1
3	595 11 12-01	SCREW		3
4	594 31 35-01	CYLINDER		1
5	594 35 20-01	SPACER		4
6	595 06 68-01	WASHER		4
7	595 03 36-01	SCREW		4
8	594 46 25-01	COVER		1
9	595 34 46-01	SCREW		8
10	594 74 74-01	WASHER		8
11	595 06 61-02	TRIM		1
12	595 06 61-02	TRIM		1
13	595 04 82-01	STRIP		1
14	595 46 37-01	BRACKET		1
15	595 29 36-01	CLAMP		1
16	595 04 96-01	HOSE		1
17	595 35 22-01	LOCK NUT		2
18	594 32 95-01	CLIP		2
19	595 05 75-01	SCREW		2
20	594 12 38-01	PLANE WASHER		4
21	594 33 69-01	HOSE		1
22	595 88 74-01	SCREW		2
23	595 03 34-01	SCREW		2
24	595 03 66-01	WASHER		2
25	595 11 46-01	PIPE CLAMP		2
26	595 17 20-01	ENGINE	Whole engine pack	1
27	595 18 11-01	NUT		1
28	595 03 65-01	WASHER		6
29	595 10 98-01	SCREW		1
30	594 45 34-01	EXHAUST PIPE		1
31	595 05 05-01	CLAMP		1
32	595 45 50-01	CLAMP		2
33	594 53 77-02	HOSE		1
34	594 45 38-01	TUBE		1

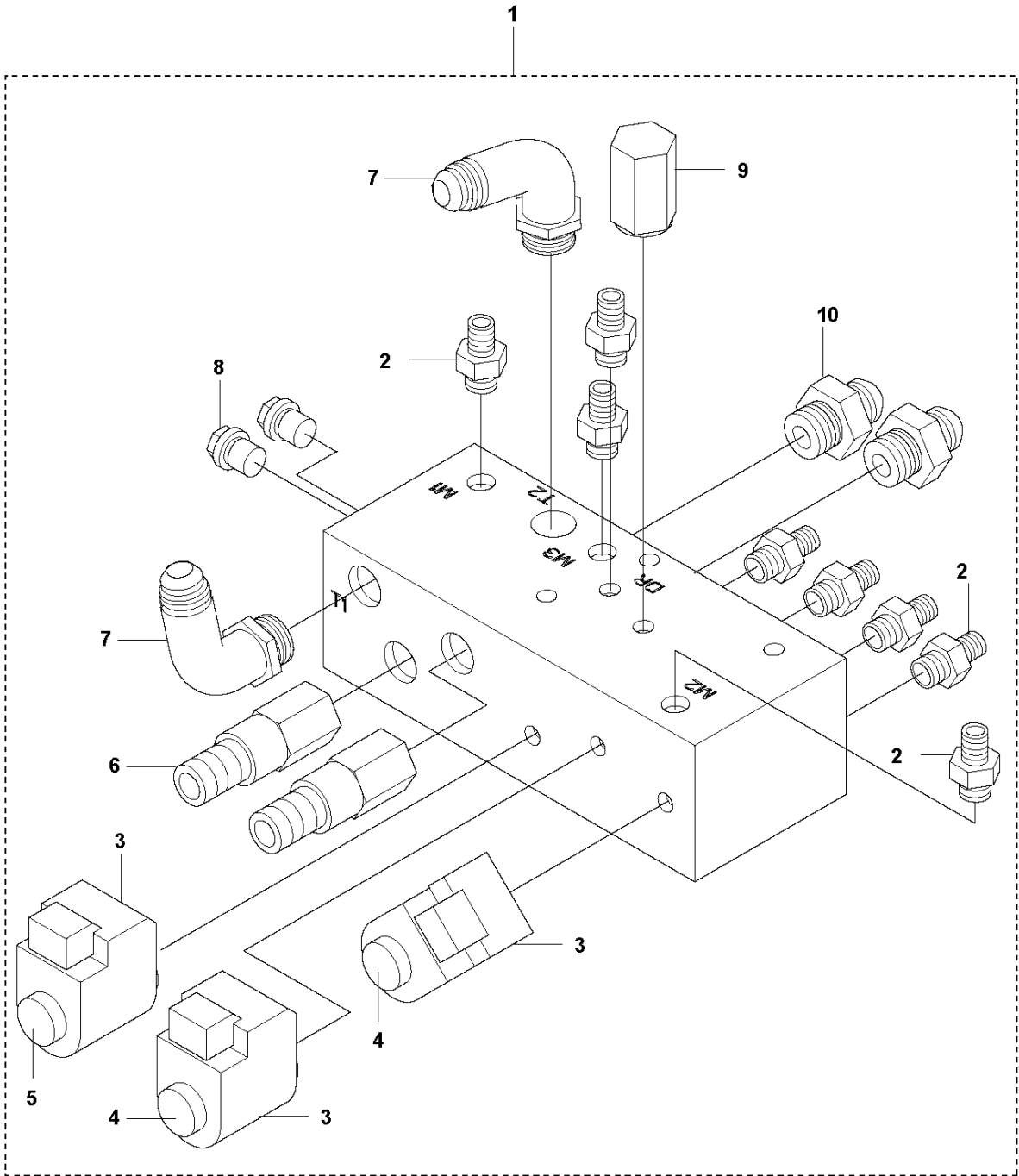


HYDRAULIC SYSTEM

LH 804, 967897301, 967897302, 967897303, 967897304, 2019-09

Ref	Part No	Description	Remark	QTY	KIT
1	594 35 30-01	OIL FILTER	Hydraulic oil filter	1	
3	594 44 52-01	FILTER	Filter element for mineral oil	1	1
4	594 49 05-01	OIL FILTER	Hydraulic oil filter	1	
6	594 44 53-01	FILTER	Filter element for Bio oil	1	4
7	595 03 66-01	WASHER	Washer	9	
8	595 34 83-01	SOCKET	Screw M8x20	4	
9	594 44 07-01	HYDRAULIC PUMP	gear pump	2	
10	594 45 35-01	FILTER	Ventilating filter	1	
11	594 44 23-01	HYDRAULIC HOSE		1	
12	595 45 48-01	HOSE CLAMP		2	
13	595 46 97-01	CLAMP		1	
14	594 74 73-01	WASHER		1	
15	594 11 84-01	SCREW		1	
16	594 44 24-01	CONNECTOR		1	
17	594 26 87-01	RING		1	
18	594 83 25-01	SCREW		4	
19	595 18 75-01	ELBOW		2	
20	594 49 60-01	HYDRAULIC HOSE		1	
21	595 11 47-01	CLAMP		1	
22	595 03 34-01	SCREW		1	
23	594 49 63-01	HYDRAULIC HOSE		1	
24	594 49 56-01	HYDRAULIC HOSE		1	
25	594 49 64-01	HYDRAULIC HOSE		1	
26	594 49 55-01	HYDRAULIC HOSE		1	
27	595 05 07-01	ELBOW		5	
28	594 49 00-01	VALVE		1	
29	595 04 86-01	ADAPTER		2	
30	594 43 93-01	HYDRAULIC HOSE		1	
31	595 16 10-01	FITTING		3	
32	595 17 82-01	HYDRAULIC HOSE		1	
33	595 46 53-01	HYDRAULIC HOSE		2	
34	595 46 52-01	HYDRAULIC HOSE		1	
35	595 45 58-01	ADAPTER		1	
36	595 17 83-01	HYDRAULIC HOSE		1	
37	594 49 65-01	HYDRAULIC HOSE		1	
38	595 04 66-01	O-RING		1	
39	594 35 22-01	SLEEVE		1	
40	594 49 81-01	SPARK PLUG		1	48
41	594 59 42-01	SLEEVE		1	48
42	595 45 26-01	ADAPTER		1	
43	594 44 25-01	PROTECTION		1	
44	595 99 14-01	SCREW	Screw M8x90	1	
45	595 17 47-01	CYLINDER	Cylinder	2	
46	595 36 13-01	HYDRAULIC HOSE		1	
47	594 29 35-01	ADAPTER		1	
48	594 44 08-01	HYDRAULIC MOTOR		1	

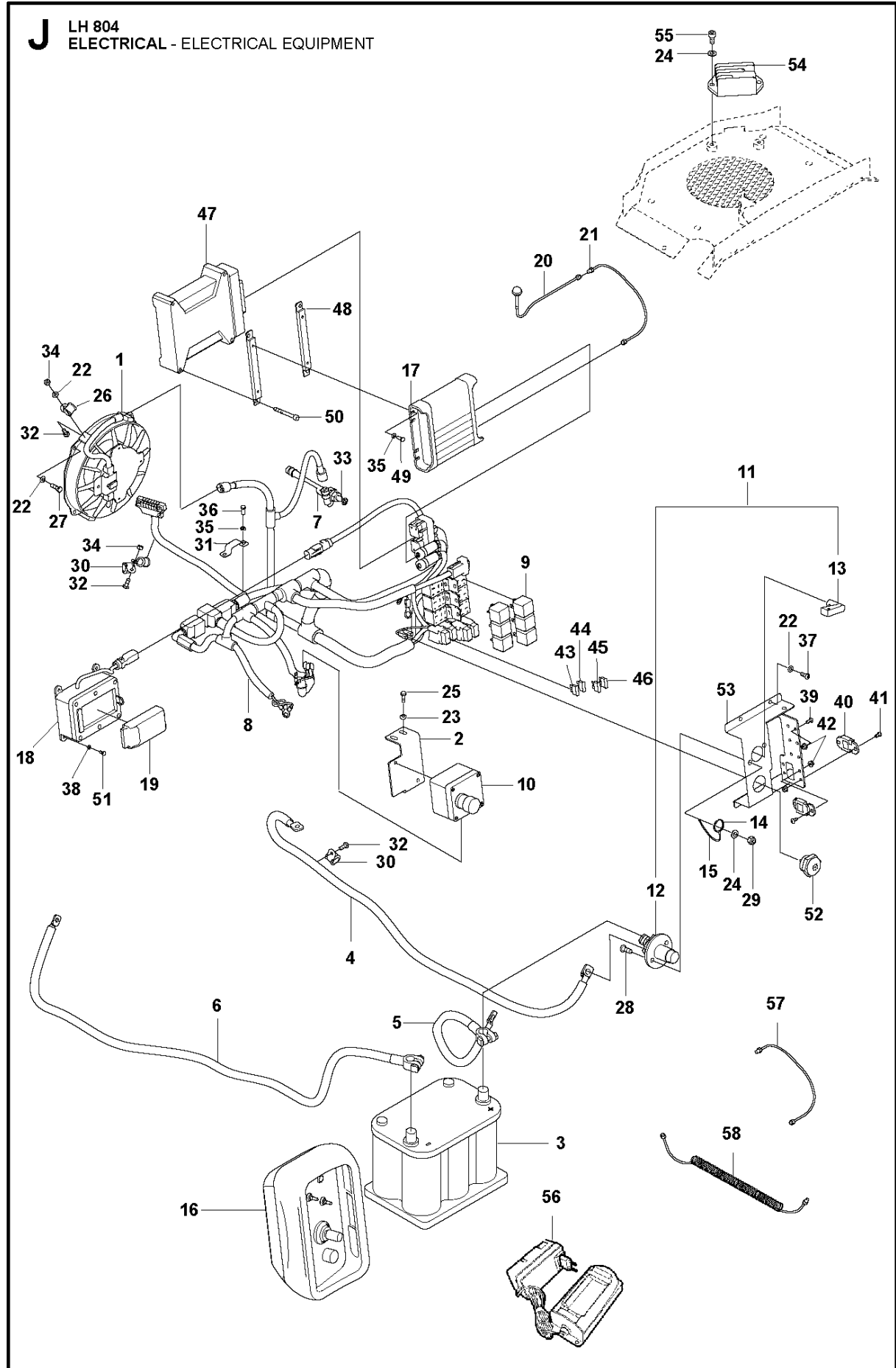
H LH 804
HYDRAULIC BLOCK



HYDRAULIC BLOCK

LH 804, 967897301, 967897302, 967897303, 967897304, 2019-09

Ref	Part No	Description	Remark	QTY KIT	
1	594 49 00-01	VALVE		1	
2	595 05 06-01	ADAPTER		8	1
3	595 19 35-01	MAGNET		3	1
4	595 19 18-01	VALVE		2	1
5	594 58 25-01	VALVE		1	1
6	595 19 20-01	VALVE		2	1
7	595 15 89-01	ADAPTER		2	1
8	595 45 56-01	PLUG		2	1
9	595 19 19-01	VALVE		1	1
10	595 16 08-01	ADAPTER		2	1

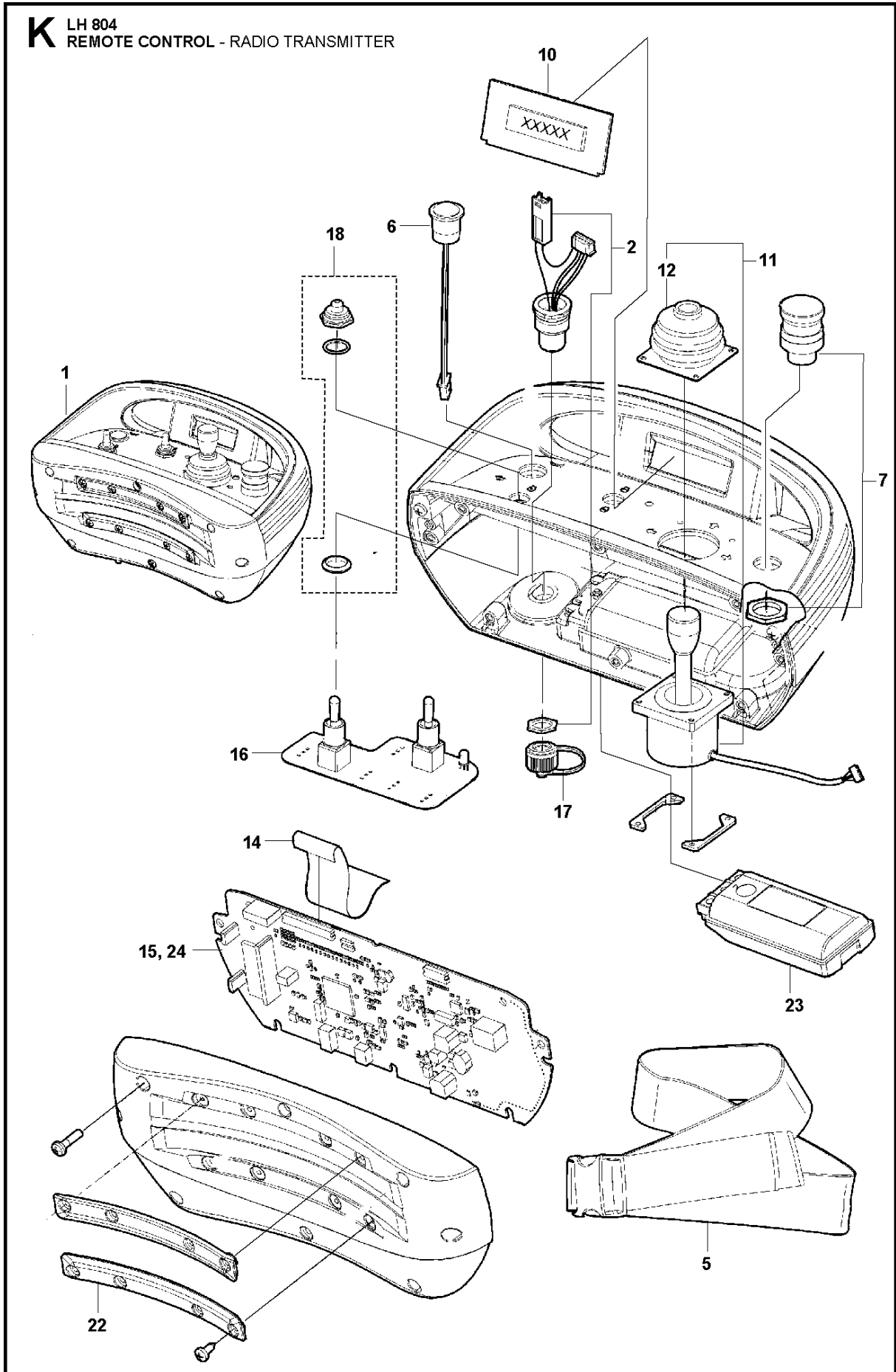


ELECTRICAL

LH 804, 967897301, 967897302, 967897303, 967897304, 2019-09

Ref	Part No	Description	Remark	QTY	KIT
1	594 46 62-01	FAN		1	
2	595 17 39-01	BRACKET		1	
3	594 48 59-01	BATTERY		1	
4	595 46 36-01	CABLE		1	
5	595 18 45-01	CABLE		1	
6	595 18 46-01	CABLE		1	
7	594 17 56-01	SENSOR		1	
8	595 36 24-01	CABLE		1	
9	595 06 59-01	RELAY		6	
10	594 15 95-01	BOX		1	
11	595 05 11-01	SWITCH		1	
12	595 05 11-01	SWITCH		1	11
13	595 06 51-01	HANDLE		1	11
14	595 45 62-01	KEY		1	
15	595 17 09-01	WIRE		1	
16	594 16 57-01	TRANSMITTER		1	
17	594 17 05-01	TRANSMITTER		1	
18	594 64 98-01	BATTERY CHARGER		1	
19	594 64 93-01	BATTERY		2	
20	596 36 78-01	ANTENNA		1	
21	594 65 12-01	CABLE		1	
22	595 03 65-01	WASHER		9	
23	595 18 19-01	WASHER		4	
24	595 03 66-01	WASHER		4	
25	595 03 32-01	SCREW		4	
26	595 11 46-01	PIPE CLAMP		2	
27	595 10 98-01	SCREW		4	
28	595 18 36-01	SCREW		2	
29	595 35 23-01	NUT		2	
30	594 12 56-01	PIPE CLAMP		5	
31	595 17 45-01	CLAMP		2	
32	595 05 63-01	SCREW		5	
33	596 36 56-01	SENSOR		2	
34	595 28 75-01	HEXAGON NUT		2	
35	594 12 38-01	PLANE WASHER		8	
36	598 18 45-01	SCREW		4	
37	595 06 64-01	SCREW		4	
38	595 11 32-01	WASHER		4	
39	595 06 56-01	SCREW		6	
40	595 18 67-01	HOLDER		2	
41	594 53 57-01	SCREW		4	
42	598 19 40-01	HEXAGON NUT		10	
43	594 51 36-01	FUSE		1	
44	594 52 92-01	FUSE		1	
45	595 18 55-01	FUSE		1	
46	594 53 25-01	FUSE		1	
47	595 51 95-01	UNIT		1	
48	595 36 23-01	BRACKET		2	
49	595 28 70-01	BOLT		4	
50	598 18 50-01	SCREW		4	
51	595 06 40-01	SCREW		4	
52	594 45 37-01	BUZZER		1	
53	595 36 22-01	PANEL		1	
54	594 46 54-01	TENSIONER		1	
55	595 03 44-01	SCREW		2	
56	594 19 52-01	CHARGER		1	
57	594 61 49-01	CABLE		1	
58	594 86 89-01	CABLE		1	

K LH 804
REMOTE CONTROL - RADIO TRANSMITTER

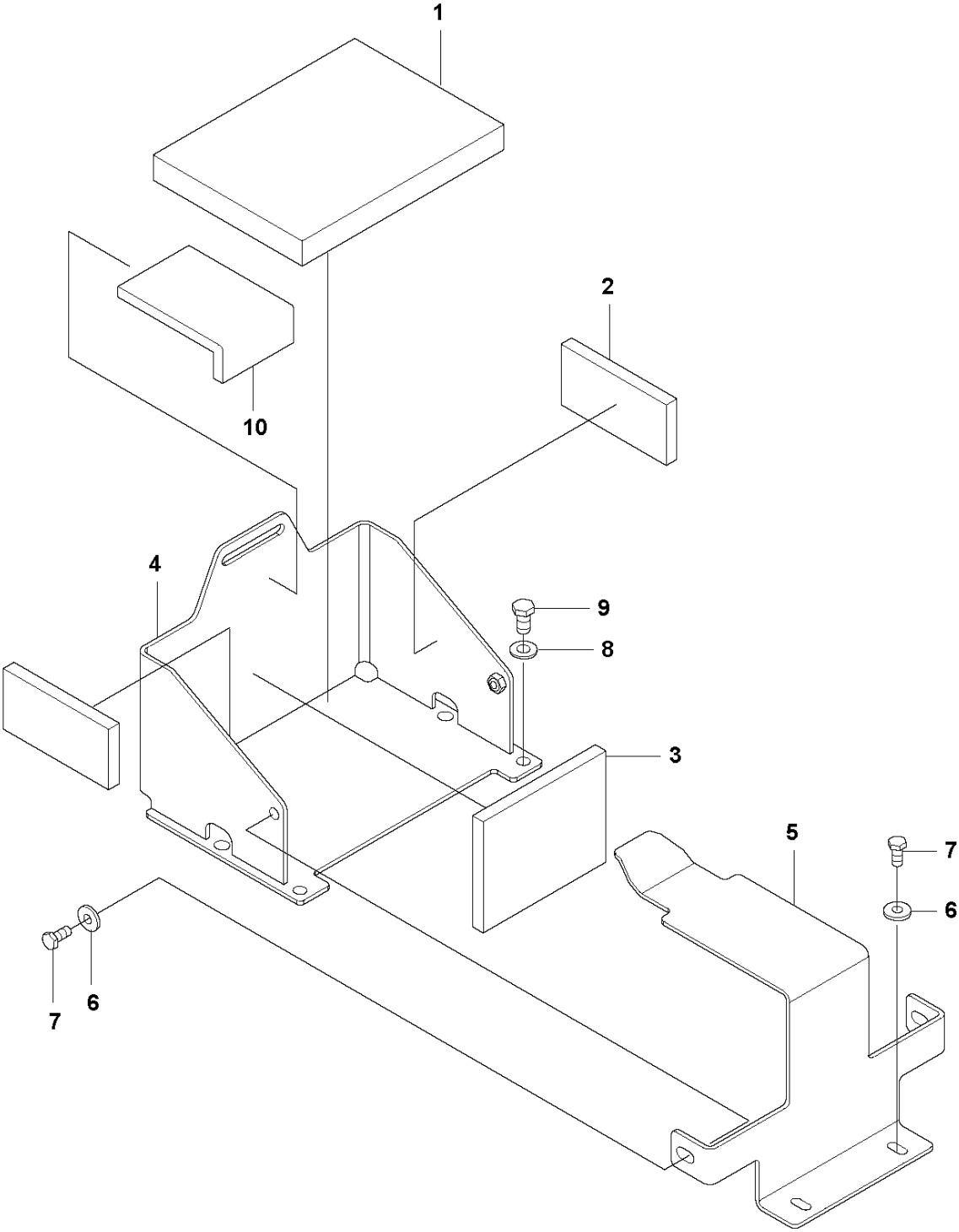


REMOTE CONTROL

LH 804, 967897301, 967897302, 967897303, 967897304, 2019-09

Ref	Part No	Description	Remark	QTY	KIT
1	594 16 57-01	TRANSMITTER		1	
2	594 20 79-01	CABLE		1	
5	594 20 60-01	STAND		1	
6	594 20 68-01	PUSH BUTTON		1	
7	595 28 84-01	STOP SWITCH		1	
10	594 20 64-01	DISPLAY		1	
11	595 38 31-01	JOYSTICK		1	
12	594 20 65-01	BELLOWS		1	11
14	594 20 66-01	CABLE		1	
15	594 20 63-01	TRANSMITTER	Main circuit card FSK12 from S/N BGF30330	1	
16	595 38 29-01	SWITCH		1	
17	594 21 07-01	COVER		1	
18	595 38 30-01	HOOD		2	
22	595 38 28-01	BRACKET		2	
23	594 64 93-01	BATTERY		1	
24	594 20 62-01	TRANSMITTER	Main circuit card FSK05 up to S/N BGF30329	1	

L LH 804
BATTERY - BATTERY BOX

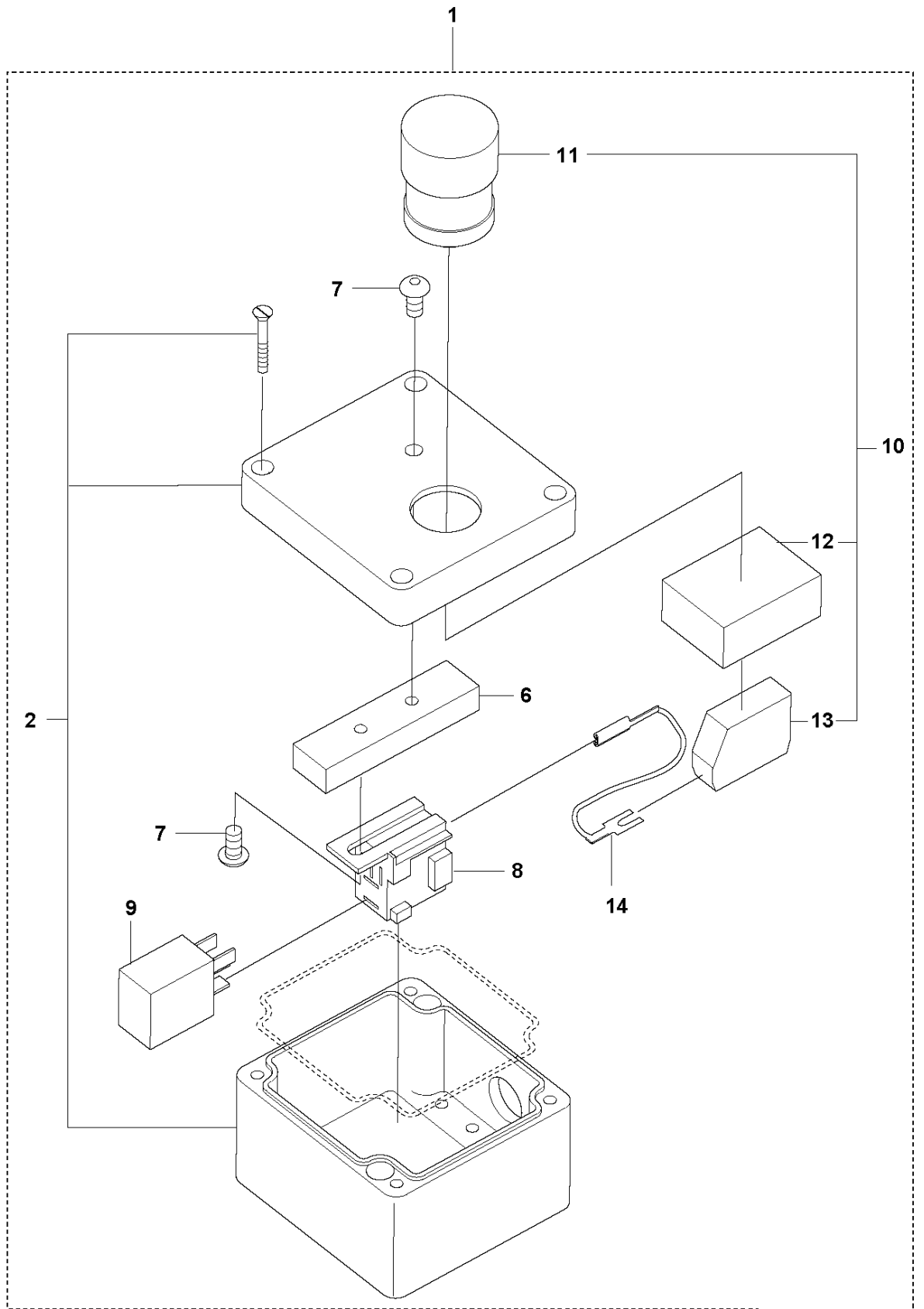


BATTERY

LH 804, 967897301, 967897302, 967897303, 967897304, 2019-09

Ref	Part No	Description	Remark	QTY KIT
1	595 17 19-01	ABSORBER		1
2	594 44 46-01	BATTERY		2
3	595 17 46-01	INSULATION		1
4	595 36 14-01	BATTERY BOX		1
5	595 36 15-01	BRACKET		1
6	594 12 34-01	WASHER		4
7	594 11 79-01	SCREW		4
8	594 74 74-01	WASHER		2
9	594 11 84-01	SCREW		2
10	594 44 27-01	BATTERY		1

M LH 804
ELECTRICAL - EMERGENCY BOX

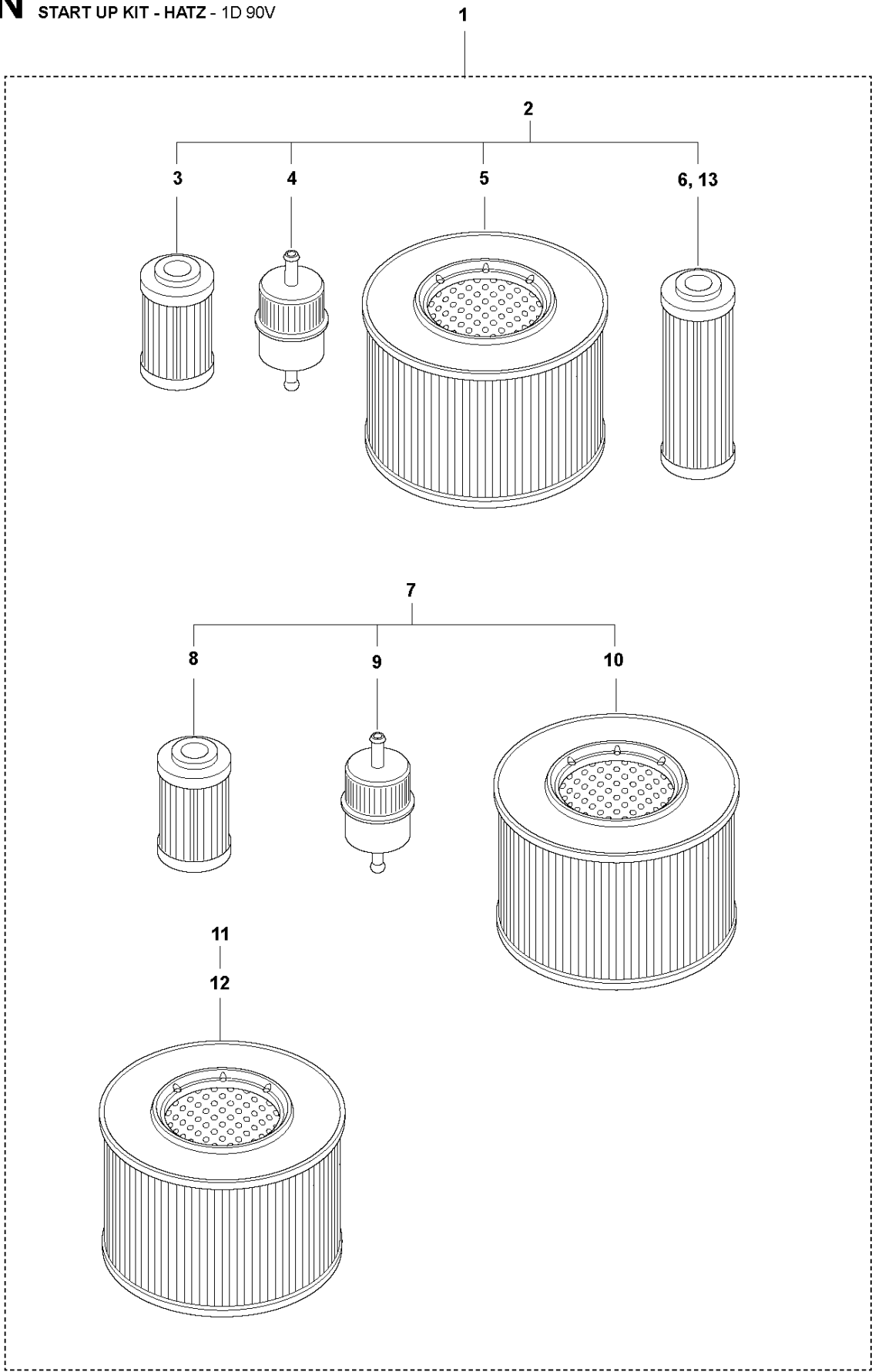


ELECTRICAL

LH 804, 967897301, 967897302, 967897303, 967897304, 2019-09

Ref	Part No	Description	Remark	QTY	KIT
1	594 15 95-01	BOX		1	
2	594 15 94-01	BOX		1	1
6	595 46 35-01	BRACKET		1	1
7	595 06 56-01	SCREW		2	1
8	594 44 35-01	HOLDER		1	1
9	594 44 36-01	RELAY		1	1
10	594 36 57-01	SWITCH		1	1
11	594 36 57-01	SWITCH		1	1, 10
12	595 18 65-01	CONNECTOR		1	1, 10
13	595 47 01-01	CONTACT		1	1
14	595 17 43-01	CONNECTION		1	1

N LH804
START UP KIT - HATZ - 1D 90V

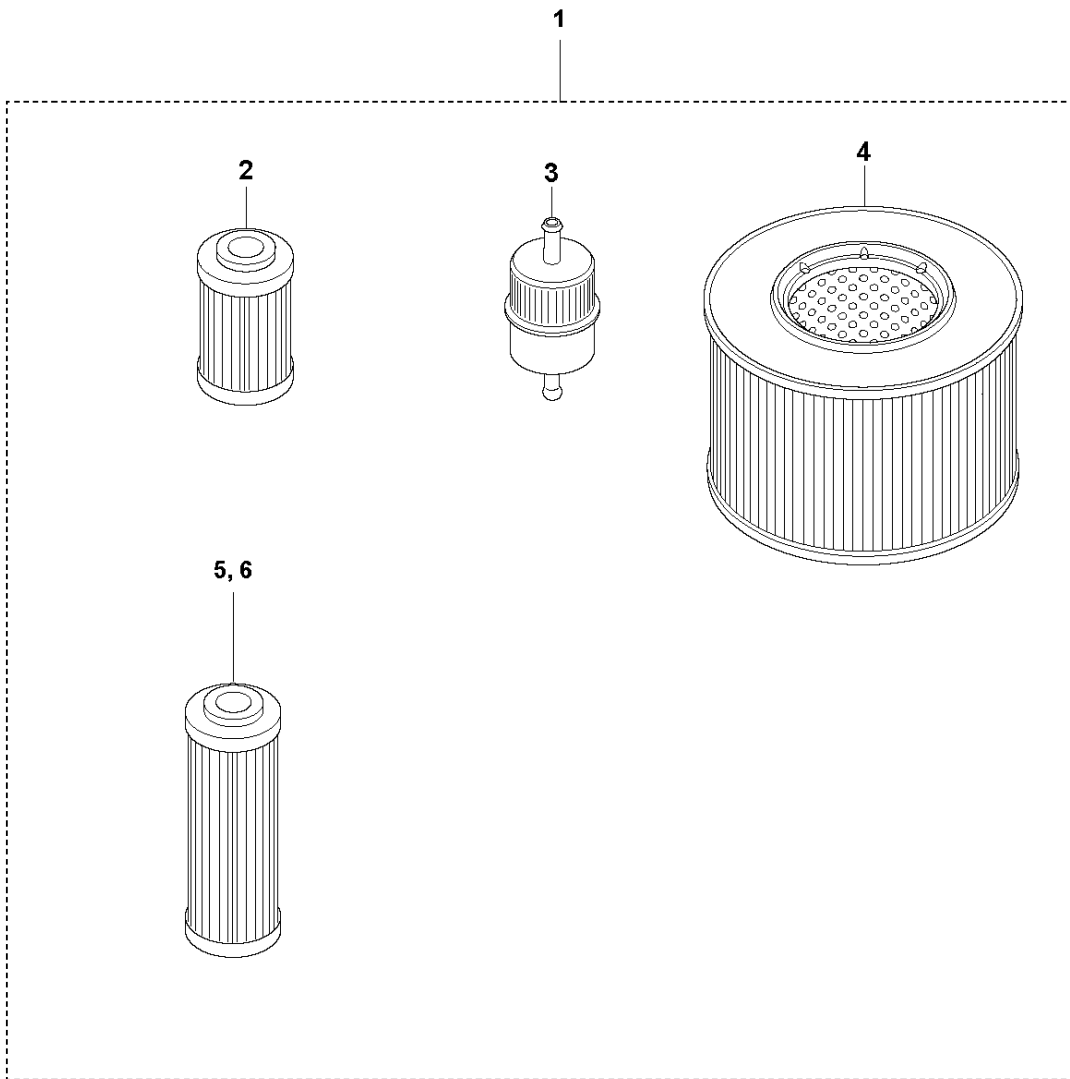


START UP KIT - HATZ

LH 804, 967897301, 967897302, 967897303, 967897304, 2019-09

Ref	Part No	Description	Remark	QTY KIT	
1	594 76 18-01	SERVICE KIT		1	
2	594 21 76-01	SERVICE KIT	Service kit 500Hours/12Months	1	1
3	594 30 24-01	OIL FILTER	Engine oil filter	1	1, 2
4	594 57 99-01	FUEL FILTER	Fuel filter	1	1, 2
5	594 30 54-01	AIR FILTER	Air filter element	1	1, 2
6	594 44 52-01	FILTER	Hydraulic oil filter, for machines 967897301, 967897303, 967897304	1	1, 2
7	594 21 50-01	SERVICE KIT	Service kit 250 hours/ 6 months	1	1
8	594 30 24-01	OIL FILTER	Engine oil filter	1	1, 7
9	594 57 99-01	FUEL FILTER	Fuel filter	1	1, 7
10	594 30 54-01	AIR FILTER	Air filter element	1	1, 7
11	595 38 43-01	AIR FILTER	Air Filter kit	1	1
12	594 30 54-01	AIR FILTER	Air filter element	2	1, 12
13	594 44 53-01	FILTER	Bio Hydraulic oil filter, for machines 967897302	1	1, 2

P LH 804
12 MONTHS / 500 HOURS SERVICE KIT - HATZ - 1D 90V

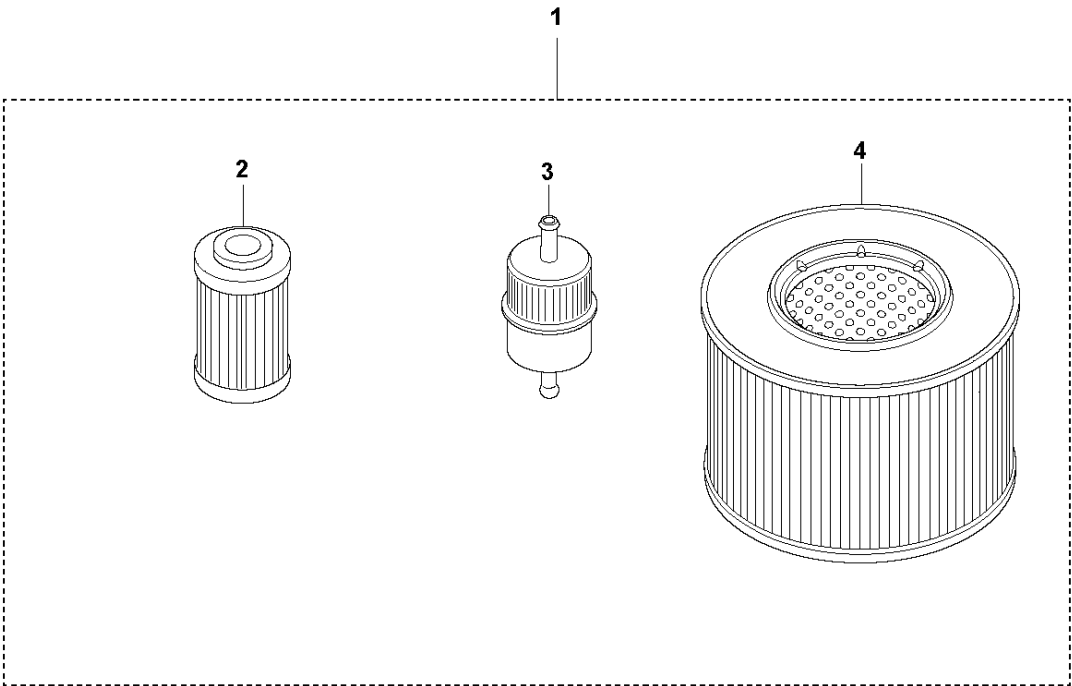


12 MONTHS / 500 HOURS SERVICE KIT - HATZ
967897304, 2019-09

LH 804, 967897301, 967897302, 967897303,

Ref	Part No	Description	Remark	QTY KIT	
1	594 21 76-01	SERVICE KIT		1	
2	594 30 24-01	OIL FILTER		1	1
3	594 57 99-01	FUEL FILTER		1	1
4	594 30 54-01	AIR FILTER		1	1
5	594 44 52-01	FILTER	Hydraulic oil filter, for machines 967897301, 967897303, 967897304	1	1
6	594 44 53-01	FILTER	Bio Hydraulic oil filter, for machines 967897302	1	1

Q LH 804
6 MONTHS / 250 HOURS SERVICE KIT - HATZ - 1D 90V

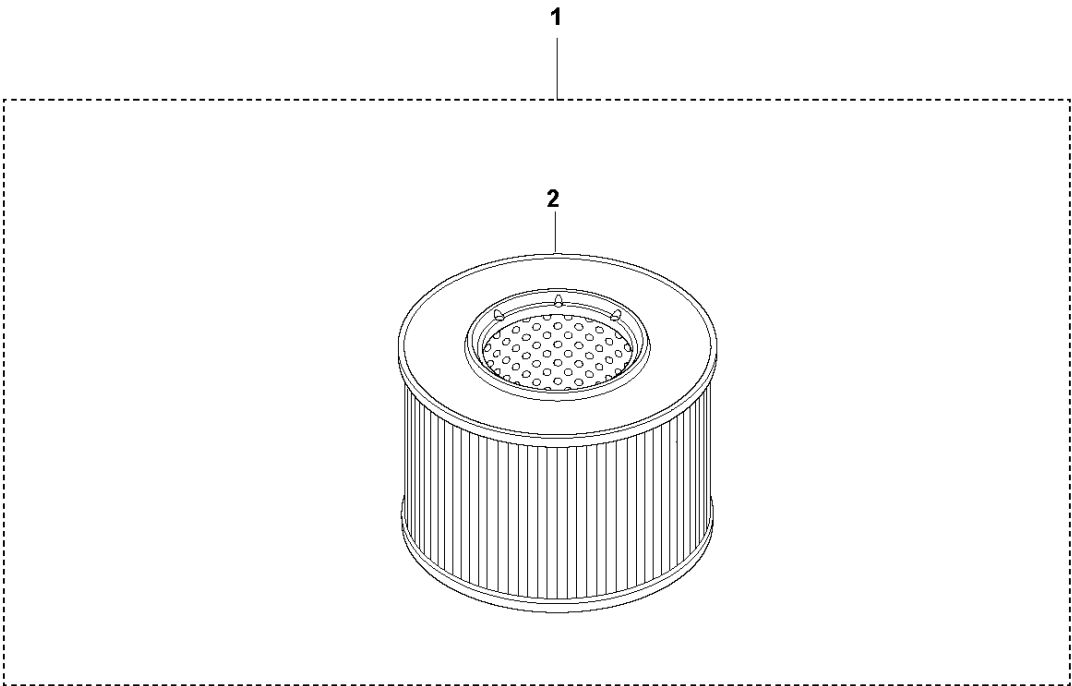


6 MONTHS / 250 HOURS SERVICE KIT - HATZ
967897304, 2019-09

LH 804, 967897301, 967897302, 967897303,

Ref	Part No	Description	Remark	QTY KIT	
1	594 21 50-01	SERVICE KIT		1	
2	594 30 24-01	OIL FILTER		1	1
3	594 57 99-01	FUEL FILTER		1	1
4	594 30 54-01	AIR FILTER		1	1

R LH 804
6 MONTHS / 100 HOURS SERVICE KIT - HATZ - 1D 90V

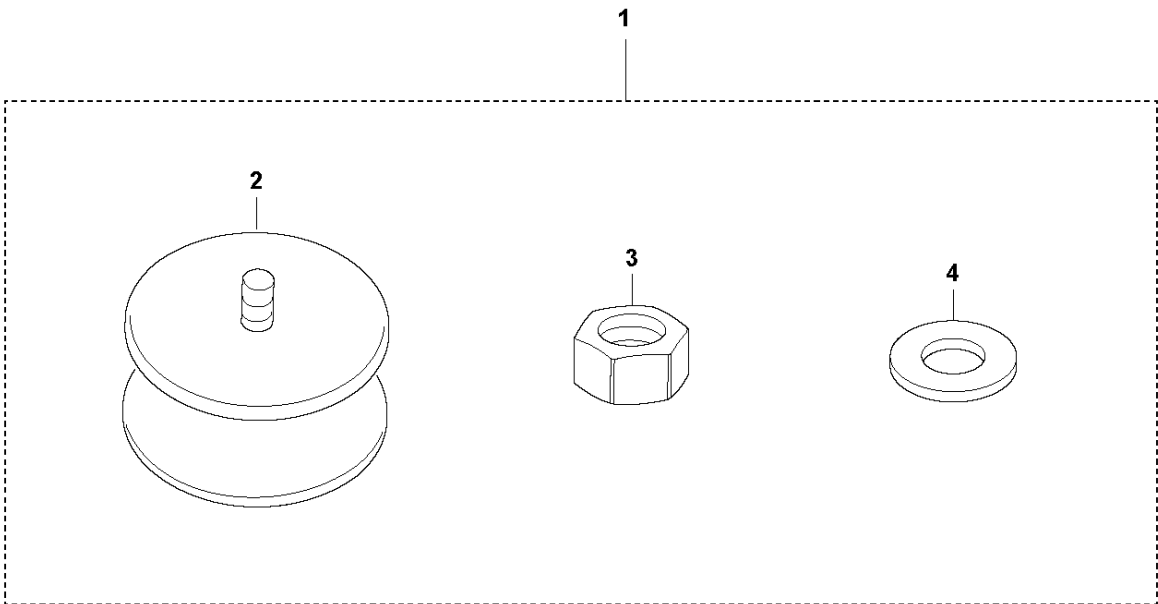


6 MONTHS / 100 HOURS SERVICE KIT - HATZ
967897304, 2019-09

LH 804, 967897301, 967897302, 967897303,

Ref	Part No	Description	Remark	QTY	KIT
1	595 38 43-01	AIR FILTER		1	
2	594 30 54-01	AIR FILTER		2	1

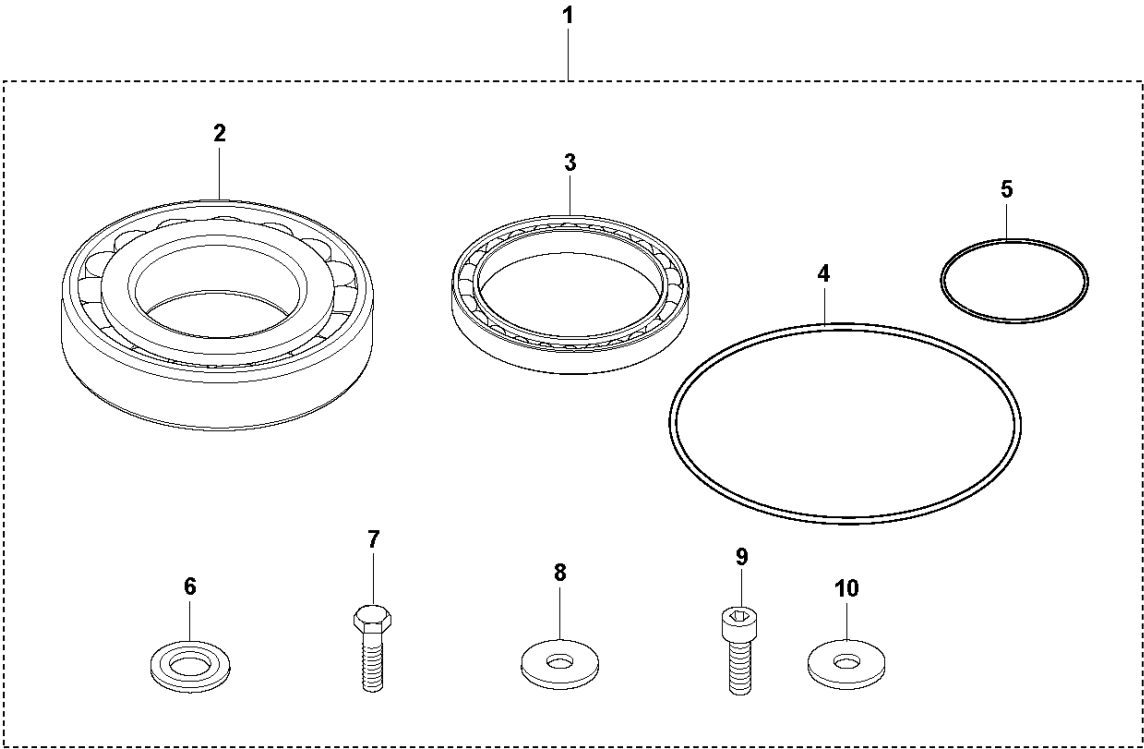
S LH 804
SHOCK ABSORBER REPAIR KIT



SHOCK ABSORBER REPAIR KIT LH 804, 967897301, 967897302, 967897303, 967897304, 2019-09

Ref	Part No	Description	Remark	QTY KIT	
1	595 37 96-01	REPAIR KIT		1	
2	594 33 62-01	ABSORBER		4	1
3	595 03 58-01	NUT		4	1
4	595 03 67-01	WASHER		4	1

T LH 804
ECCENTRIC ELEMENT REPAIR KIT

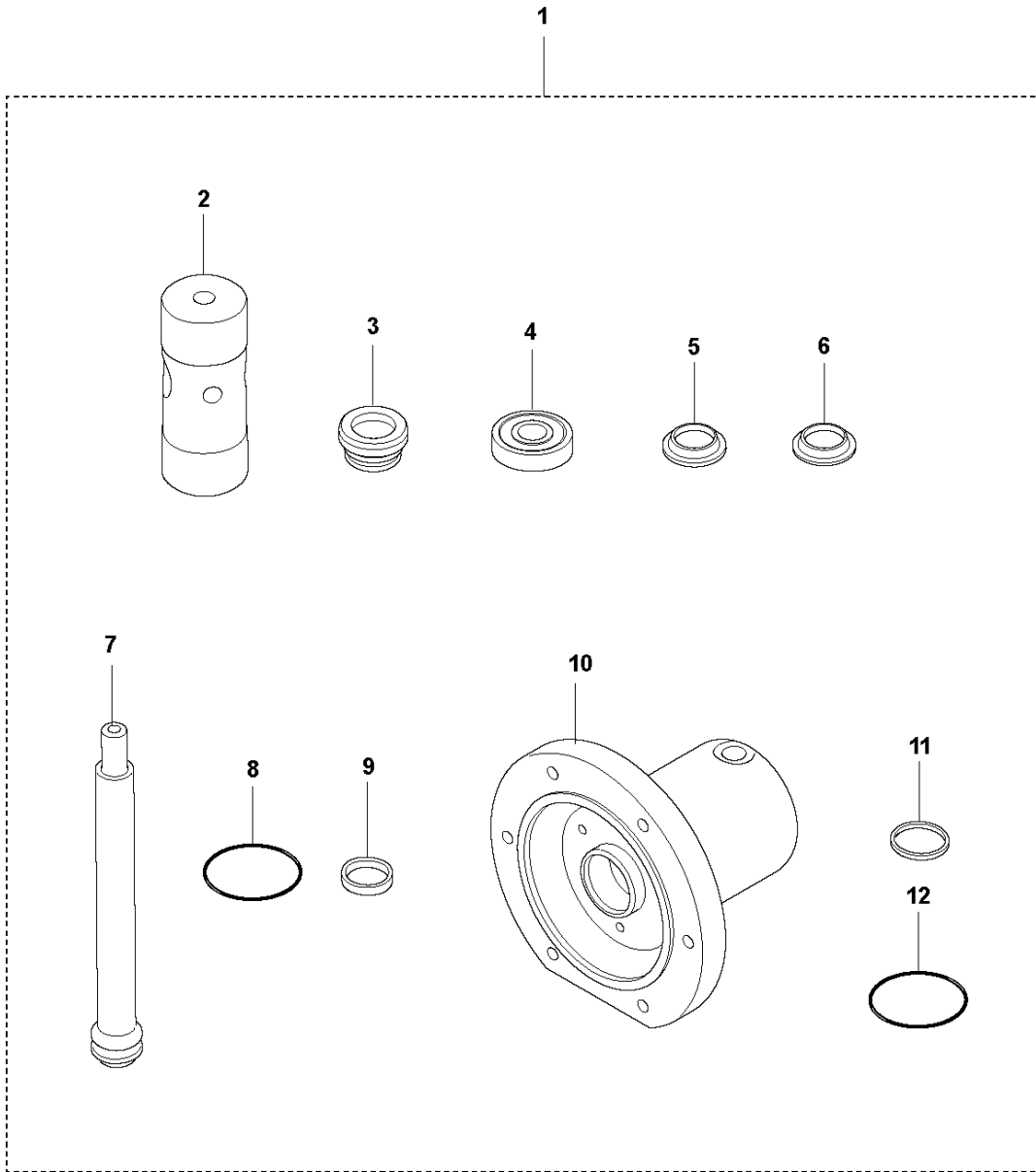


ECCENTRIC ELEMENT REPAIR KIT
2019-09

LH 804, 967897301, 967897302, 967897303, 967897304,

Ref	Part No	Description	Remark	QTY KIT	
1	595 21 46-01	EXCENTER		1	
2	594 52 80-01	ROLLER BEARING		4	1
3	594 25 96-01	BALL BEARING		4	1
4	594 53 71-01	O-RING		1	1
5	595 04 66-01	O-RING		1	1
6	595 04 78-01	GASKET		1	1
7	595 10 98-01	SCREW		20	1
8	595 03 65-01	WASHER		20	1
9	595 03 45-01	SCREW		4	1
10	595 03 66-01	WASHER		4	1

U LH 804
FORWARD & REVERSE PISTON REPAIR KIT

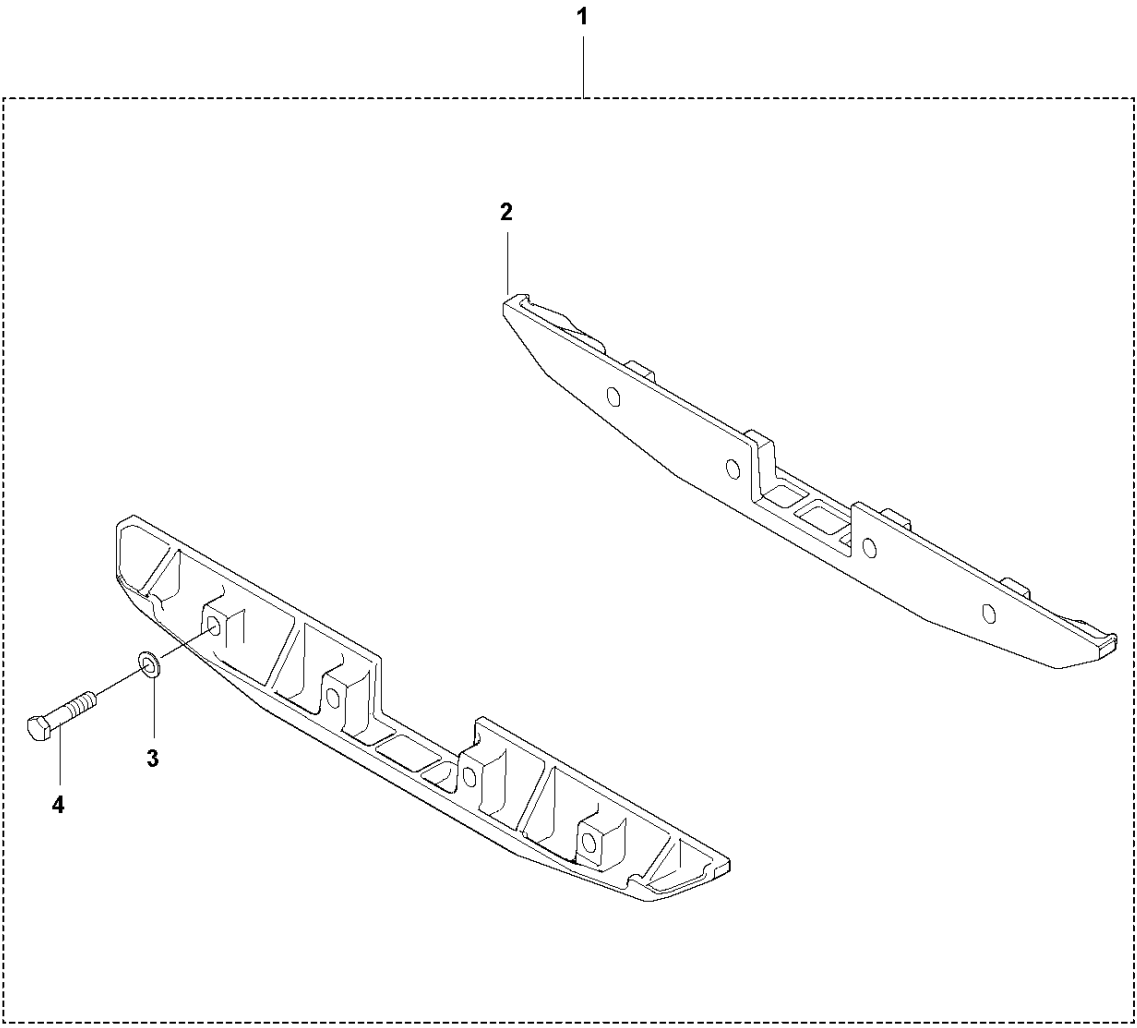


FORWARD & REVERSE PISTON REPAIR KIT
967897304, 2019-09

LH 804, 967897301, 967897302, 967897303,

Ref	Part No	Description	Remark	QTY KIT	
1	595 50 51-01	REPAIR KIT		2	
2	595 52 38-01	PISTON		1	1
3	594 45 89-01	SLEEVE		1	1
4	594 51 52-01	BALL BEARING		2	1
5	594 53 72-01	SHROUD	AUAS 16x22x4	1	1
6	594 45 77-01	SHROUD	NI-300 16x24x5.5	1	1
7	594 82 62-01	ROD		1	1
8	595 04 12-01	O-RING	90 Shore NBR	1	1
9	594 45 78-01	RING	EKF/MIBR 16x19.1x3.9	1	1
10	595 17 47-01	CYLINDER	Hydraulic cylinder	1	1
11	594 45 76-01	SEALING	SIMKO 300 32x24.5x3	1	1
12	595 04 11-01	O-RING	70 Shore NBR	1	1

V LH 804
EXTENSION PLATE KIT - 2x75 mm (2x2.95")

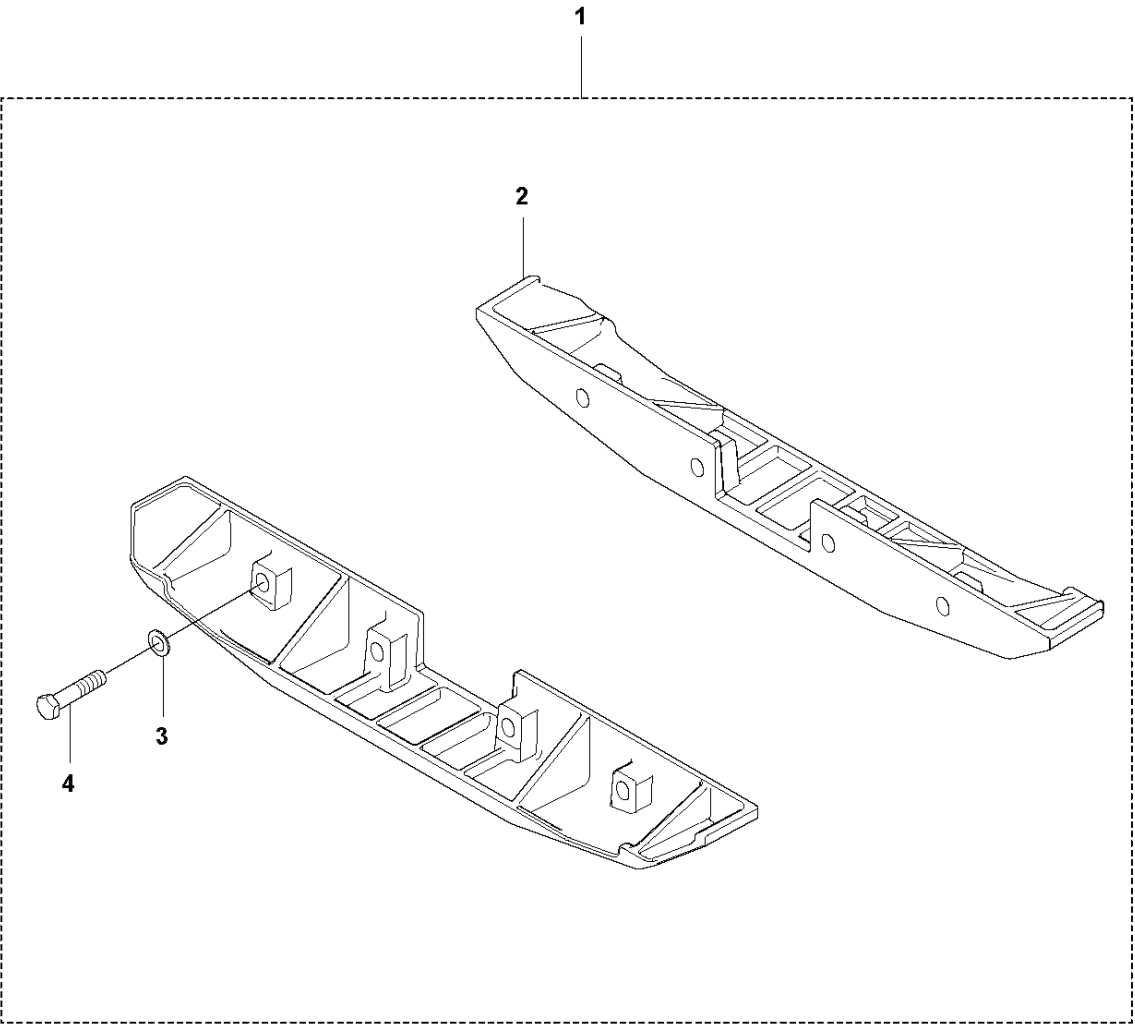


EXTENSION PLATE KIT 2 X 75 MM LH 804, 967897301, 967897302, 967897303, 967897304, 2019-

09

Ref	Part No	Description	Remark	QTY KIT	
1	594 82 60-01	PLATE		1	
2	594 75 16-01	PLATE		2	1
3	595 06 70-01	WASHER		8	1
4	595 06 94-01	SCREW		8	1

W LH 804
EXTENSION PLATE KIT - 2x150 mm (2x5.90")

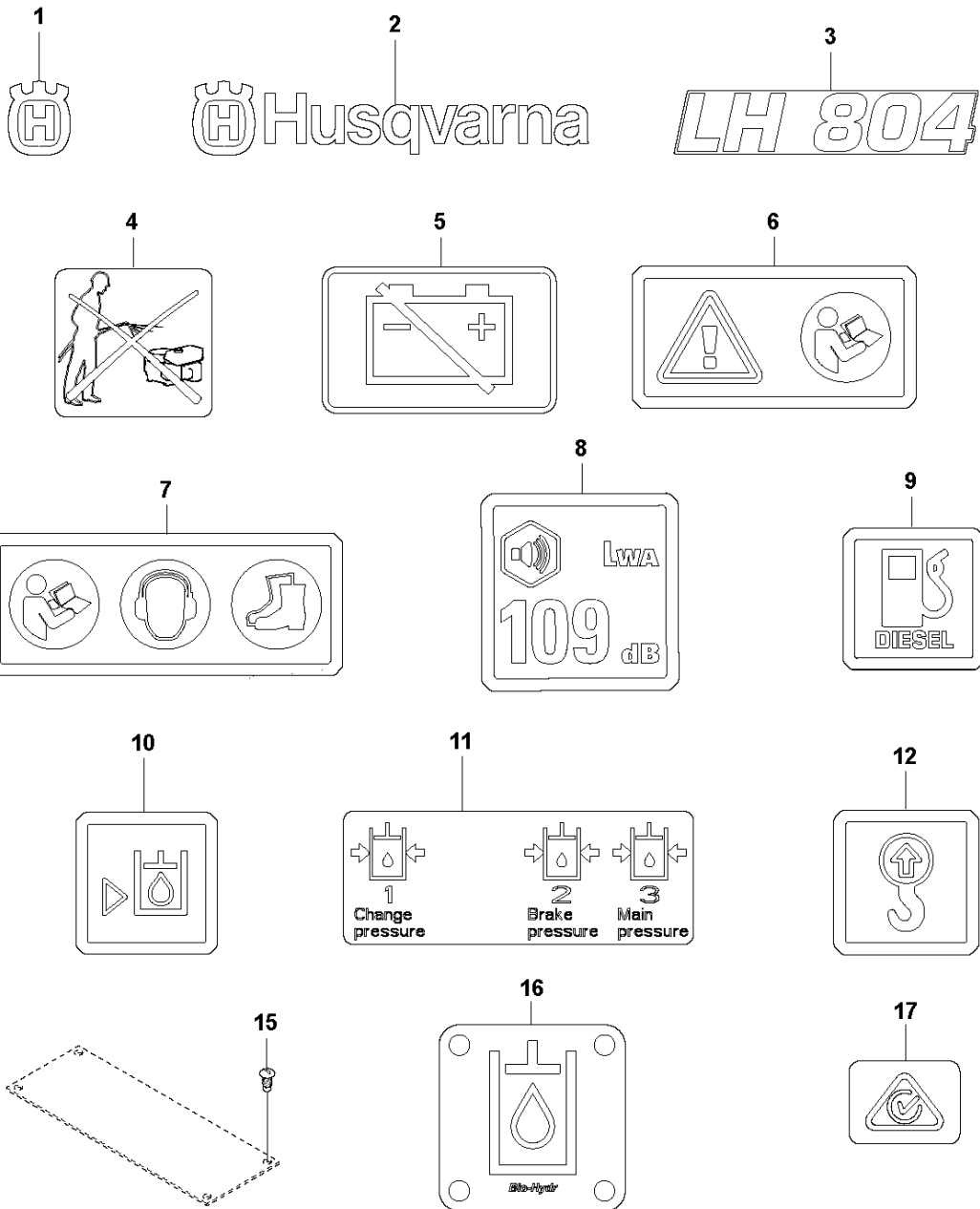


EXTENSION PLATE KIT 2 X 150 MM
2019-09

LH 804, 967897301, 967897302, 967897303, 967897304,

Ref	Part No	Description	Remark	QTY KIT	
1	594 82 61-01	PLATE		1	
2	595 17 34-01	PLATE		2	1
3	595 06 70-01	WASHER		8	1
4	595 06 94-01	SCREW		8	1

X LH 804
DECALS



DECALS - HATZ

LH 804, 967897301, 967897302, 967897303, 967897304, 2019-09

Ref	Part No	Description	Remark	QTY KIT
1	595 31 98-02	DECAL		1
2	591 35 74-01	DECAL		1
3	595 09 58-01	DECAL		1
4	594 82 85-01	DECAL		3
5	595 18 76-01	DECAL		1
6	594 86 97-01	LABEL		1
7	594 65 96-01	LABEL		1
8	595 51 32-01	LABEL		1
9	594 66 16-01	LABEL		1
10	595 51 28-01	LABEL		1
11	595 46 40-01	DECAL		1
12	594 66 09-01	LABEL		1
15	595 08 84-01	PLATE		8
16	595 46 94-01	DECAL		1
17	596 28 02-01	DECAL		1