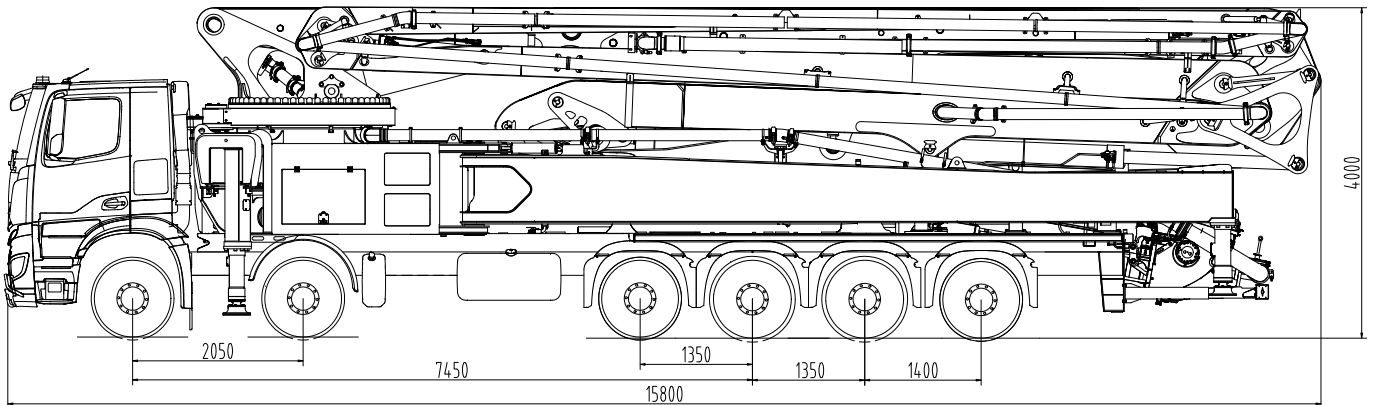
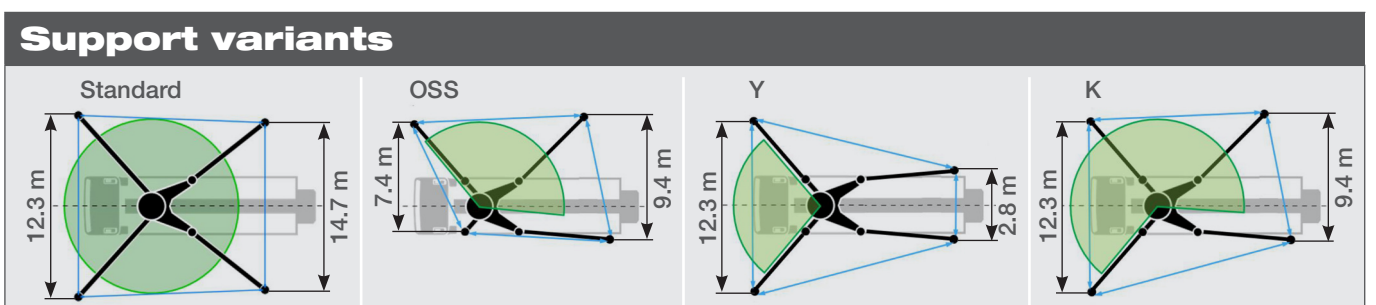
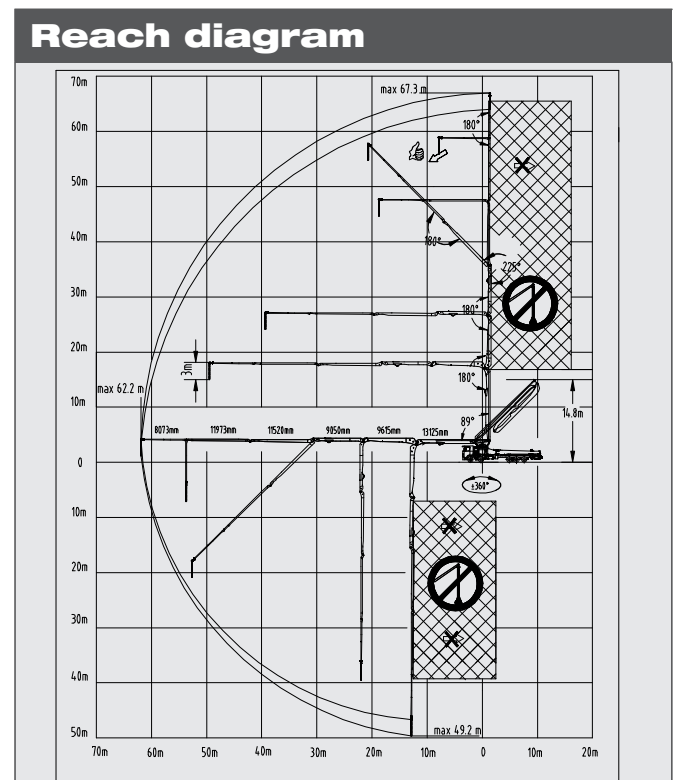


Truck-mounted concrete pump SY68 RZR6-180



Note: Standard version. Dimensions and weights depend on truck, pump model and equipment. For illustration only.

Technical data		
Boom	Folding system	6-arm RZR
	Vertical reach	67.3 m
	Horizontal reach	62.2 m
	Reach depth	49.2 m
	Unfolding height	14.8 m
	End hose length	3 m
Support	Outrigger spread front	12.3 m
	Outrigger spread rear	14.7 m
Dimensions	Overall length	15.8 m
	Width	2.55 m
	Height	4.0 m
Core pump	Output	179 m ³ /h
	Pressure	85 bar
	Strokes/min	29
	Delivery cylinder Ø	260 mm
	Stroke length	1900 mm



Boom delivery line max. 85 bar. All data max. theor. Support width based on center of support leg. OSS and K left and right possible

Standard Equipment SY68 RZR6-180

Chassis	Towing eye
	Transfer Gear Box
Cleaning	Water hose 10 m with holder
	Water pump 50 l/min 12 bar
	Water tank 700 l
Delivery line	2-layer delivery line – DN 125, 5.5"
	End hose 3 m DN 125, 5.5"
Hopper	Agitator safety switch off, lever switch
	Central lubrication hopper
	Concrete hopper with agitator
	Hard metal wear parts kit
	Switchover cylinder diameter = 100 mm
	Vibrator on hopper grid radio remote/on-site controlled
Lighting	Side marker lamps
	Working light for illuminating hopper
Pump	Delivery cylinder chrome-plated
	Delivery piston premium
	Linear position measurement system
Control System	Radio remote control proportional
	Remote control incl. 40 m cable
	SANY SYSD 10" user interface display
	SANY TTC control system
Support	Support plates (4x) in open magazine
	Swivel support plates

Safety	Chassis horn via remote control on hopper
	Cleaning steps, right & left side
	Handrail on rearstep
	Horn at the boom, button on hopper
	Rear steps, right side
Additional features	Warning device boom not in cradle
	Painting: arm assembly and delivery line in RAL 9010 Pure white
	Painting: pedestal and hopper in RAL 9010 Pure white
	Stowage box
EU KIT	User manual and spare part list
	Support Stability Control – Safety system SSC 2.0
	Additional Y and K support
	End hose with squeezing valve
	EU road approval KIT (markers & underrun protection)
	High-pressure cleaner

Available Options

Customer Painting in two colors (TIER 2)
Square timbers 8 x 1000 mm
Additional square timbers 8 x 1000 mm

See quotation for exact serial delivery scope.

Materials and specifications are subject to change without further notice in accordance with our continuous technical innovations. Photos and illustrations may include additional equipment.
All rights reserved. 2404

Putzmeister Concrete Pumps GmbH

Max-Eyth-Straße 10 · 72631 Aichtal, Germany
P.O.Box 2152 · 72629 Aichtal
Tel. +49 (7127) 599-0 · Fax +49 (7127) 599-520
pmw@putzmeister.com · www.putzmeister.com