



Technical Data

Specification & Capacities

MPK20.2



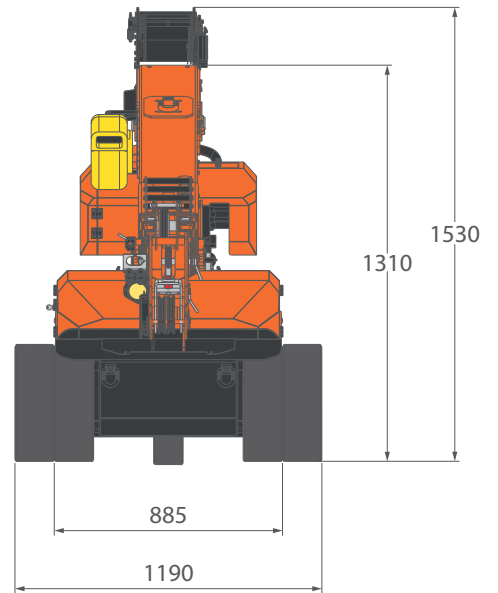
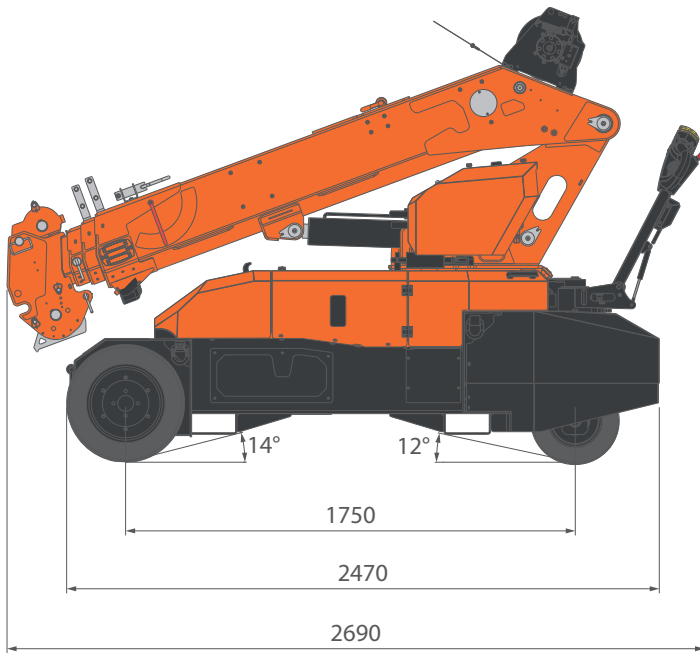
EN 13000:2014

18.09.2024 | Rev0.0

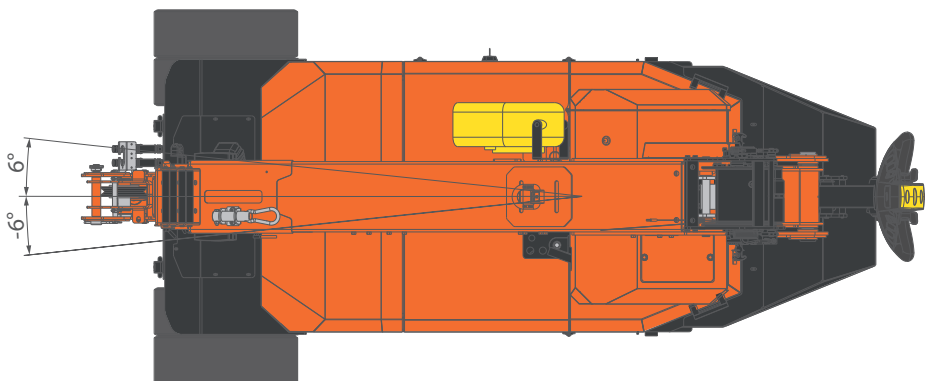
[m] [kg]

OVERALL DIMENSIONS

MPK20.2




BOOM SWING





[mm]

OVERALL INFORMATIONS

		DESCRIPTION	U.M	VALUE	
CRANE INFO	 OVERALL DIMENSIONS	Height	mm	1.530	
		Length		2.690	
		Width		1.190	
	 BOOM	Length	m	2,3/6,2	
		Speed	s	32	
	 SLEWING	Angle	°	-6°/+6°	
		Speed	rpm	1	
	 LIFTING	Working Angle	°	-20°/+57°	
		Speed	s	32	
		MAX CAPACITY		kg	2.000
		BACK WHEEL MAX LOAD		kg	550*
		FRONT WHEEL MAX LOAD	Turret positioned at 0°		1650†
Turret slewed by 6°			2000†		
	TRAVEL SPEED		km/h	4	
	GRADEABILITY		°	10° (18%)	
	WORKING TEMPERATURE		°C	-20°/+40°	
Lifting Class (UNI 4301-1)			A1		

WEIGHTS		CRANE	MPK20.2	kg	1440‡
		COUNTERWEIGHT	All	kg	405
		TOTAL	Total weight	kg	1845


ACCESSORIES		JIB	JIB1000.GX	kg	18
		WINCH	W700.60-MPK	kg	60


*: Without Load

†: With load

‡: Dry weight

MPK20.2 Overall informations

ENGINE		ELECTRIC	Voltage	V	24
			Power	kW	3

HYDRAULIC SYSTEM		Working Pressure		bar	170	
		Tank Capacity		L	31	
		OIL	Type		Synthetic	ISO 6743-4:HFDU
					Biodegradable	ISO VG46
				Viscosity Grade	VG	46
		MAIN PUMP	Displacement		cm ³ /rev	4,2
Max Oil Flow			L/min	16		

WINCH PERFORMANCE

WINCH	Layer		Max pull line	Standard rope speed
			kg	m/min
	1		1.000*	38
	2		920*	42
	3		850*	45
	4		790*	49
5		730*	53	
ROPE	Wire rope	Max load	Ø	Total length
		kg	mm	m
	19x7 right non rotating lang lay	2.086	7	62

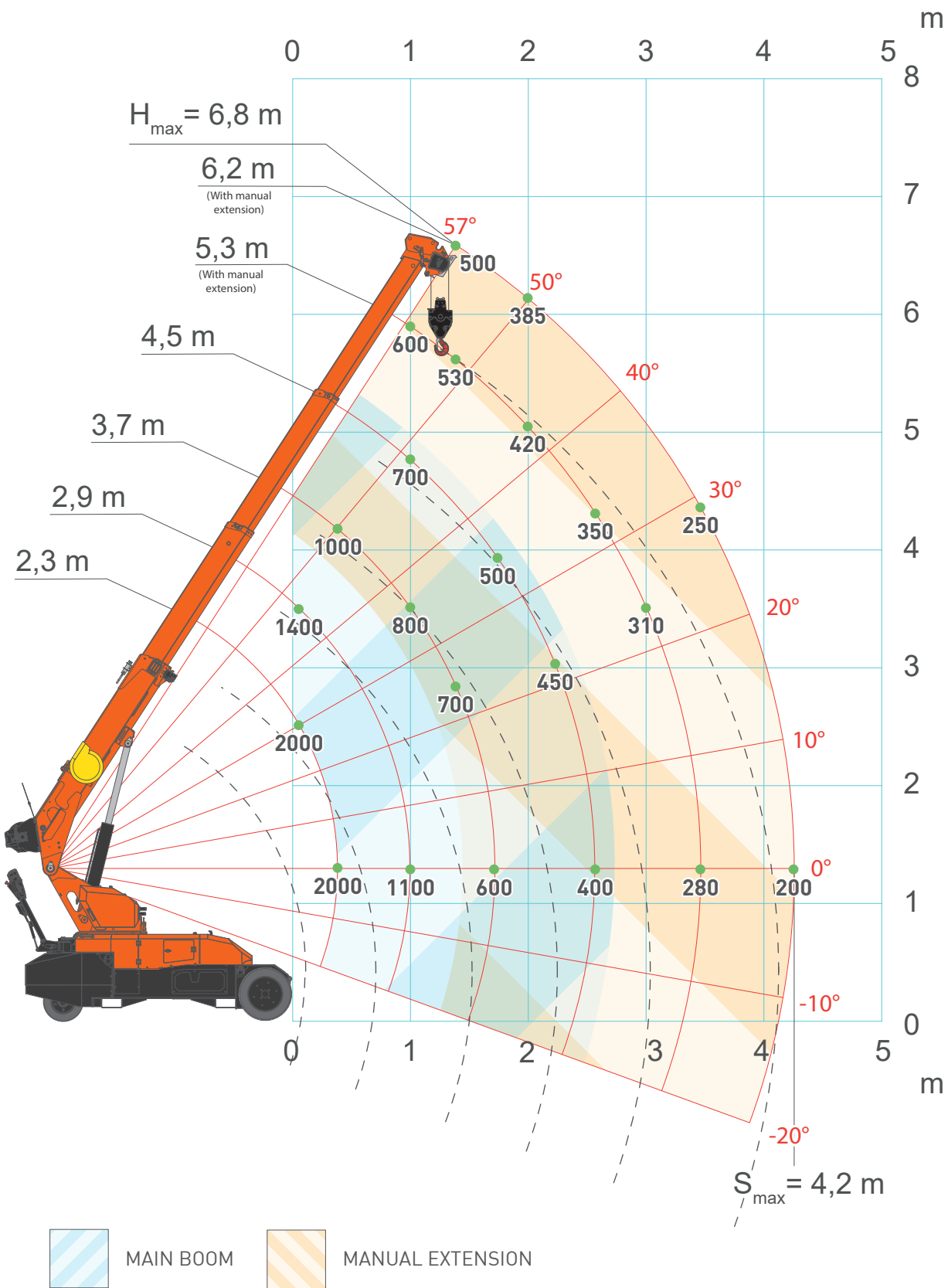
HOOKBLOCK	Block type	Weight	Load	N° of	
		kg	kg	Sheaves	Lines
	2T-D7.2	25	2.000	1	3
1.400			1	2	
1 ton single line hook	27	700	-	1	

*: LMI limited at 700 kg

STABILITY AREAS

CONFIGURATION	
J7	Turret positioned at 0° + Full counterweight
J6	Turret slewed + Full counterweight
J5	Turret positioned at 0° without counterweight
J4	Turret slewed without counterweight
J0	No lifting capacity

MAIN BOOM



[kg]

MPK20.2 Main boom load tables



CRANE PERFORMANCE: J7									
L [m]→	2,25	2,9	3,2	3,7	4,1	4,5	4,9	5,3	6,2
0,01	2000	1400	1250	1000	900	800			
0,4	2000	1400	1250	1000	900	800			
1		1100	950	800	750	700	650	600	
1,3			850	700	650	610	580	530	500
1,8				600	550	500	480	450	410
2,2					490	450	410	390	360
2,6						400	360	350	310
3							330	310	280
3,4								280	250
4,2									200
↑S (m)	kg								



CRANE PERFORMANCE: J6									
L [m]→	2,25	2,9	3,2	3,7	4,1	4,5	4,9	5,3	6,2
0,01	1600	1400	1190	900	810	720			
0,4	1600	1400	1190	900	810	720			
1		1100	950	800	720	670	590	540	
1,3			850	700	650	580	560	480	450
1,8				600	550	500	460	430	370
2,2					490	450	410	390	350
2,6						400	360	350	300
3							330	310	280
3,4								280	250
4,2									200
↑S (m)	kg								



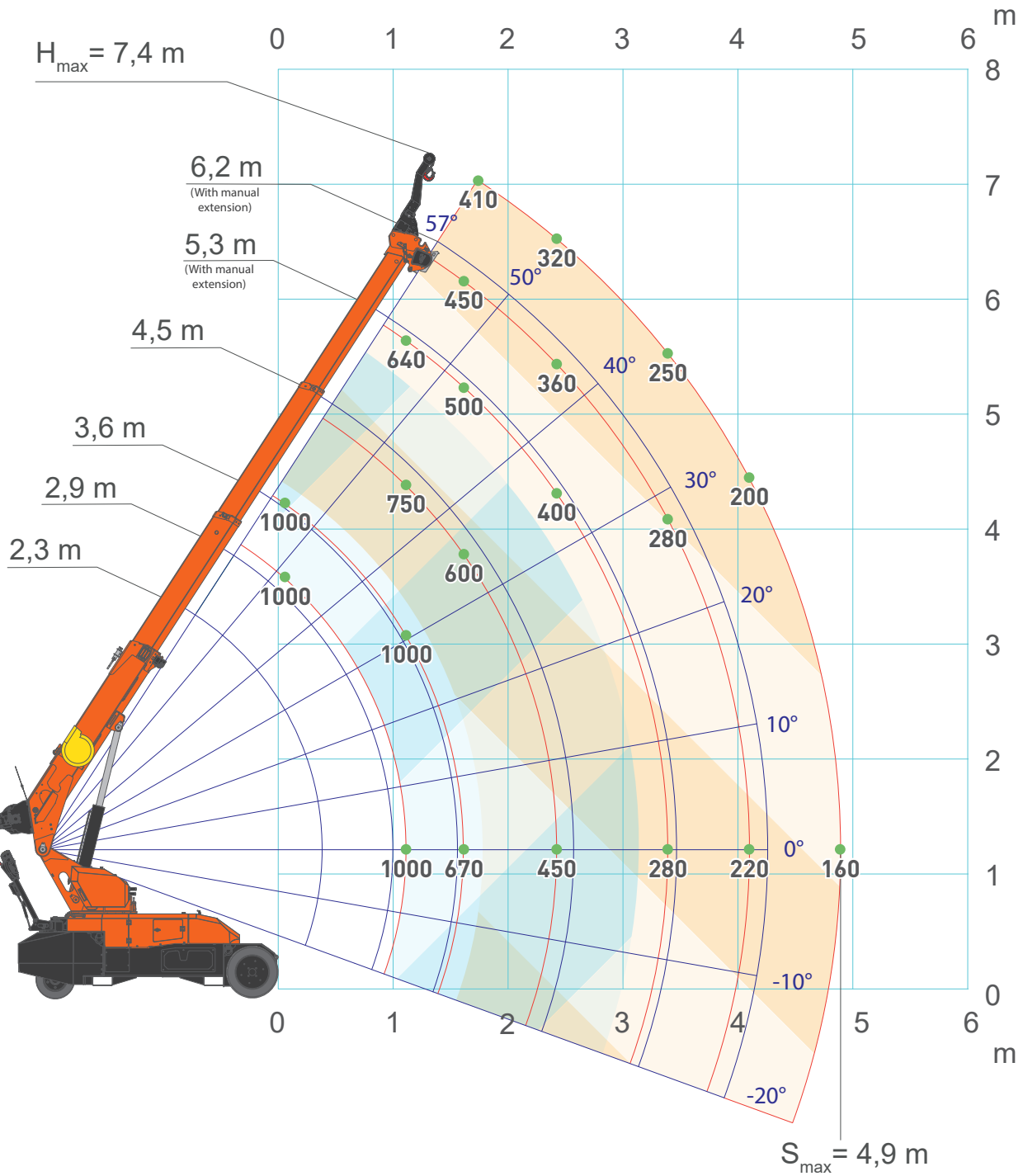
CRANE PERFORMANCE: J5									
L [m]→	2,25	2,9	3,2	3,7	4,1	4,5	4,9	5,3	6,2
0,01	2000	1400	1250	1000	900	800			
0,4	2000	1400	1250	1000	900	800			
1		670	670	670	670	670	650	600	
1,3			510	510	510	510	510	510	500
1,8				340	340	340	340	340	340
2,2					250	250	250	250	250
2,6						200	200	200	200
3							160	160	160
3,4								140	140
4,2									80
↑S (m)	kg								



CRANE PERFORMANCE: J4									
L [m]→	2,25	2,9	3,2	3,7	4,1	4,5	4,9	5,3	6,2
0,01	1600	1400	1190	900	810	720			
0,4	1600	1400	1190	900	810	720			
1		670	670	670	640	640	590	540	
1,3			510	510	510	490	490	460	450
1,8				340	340	340	330	330	310
2,2					250	250	250	250	240
2,6						200	200	200	190
3							160	160	160
3,4								140	140
4,2									80
↑S (m)	kg								

MPK20.2 JIB1000.GX load chart

JIB1000.GX



MAIN BOOM

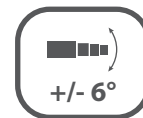


MANUAL EXTENSION

[kg]



CRANE PERFORMANCE: J7									
L [m]→	2,25	2,9	3,1	3,6	4,1	4,5	4,9	5,3	6,2
0,01	1000	1000	920	750	690	640	600		
1,1	1000	1000	920	750	690	640	600		
1,7		670	670	600	550	500	480	450	410
1,9			610	560	520	470	450	420	380
2,4				450	430	400	380	360	320
2,9					350	350	330	310	280
3,3						280	280	280	250
3,7							260	240	220
4,1								220	200
4,9									160
↑S (m)	kg								



CRANE PERFORMANCE: J6									
L [m]→	2,25	2,9	3,1	3,6	4,1	4,5	4,9	5,3	6,2
0,01	1000	1000	920	720	630	580	540		
1,1	1000	1000	920	720	630	580	540		
1,7		670	670	600	530	480	460	410	370
1,9			610	560	520	450	430	380	350
2,4				450	430	400	380	350	290
2,9					350	350	330	310	270
3,3						280	280	280	240
3,7							260	240	220
4,1								220	200
4,9									160
↑S (m)	kg								



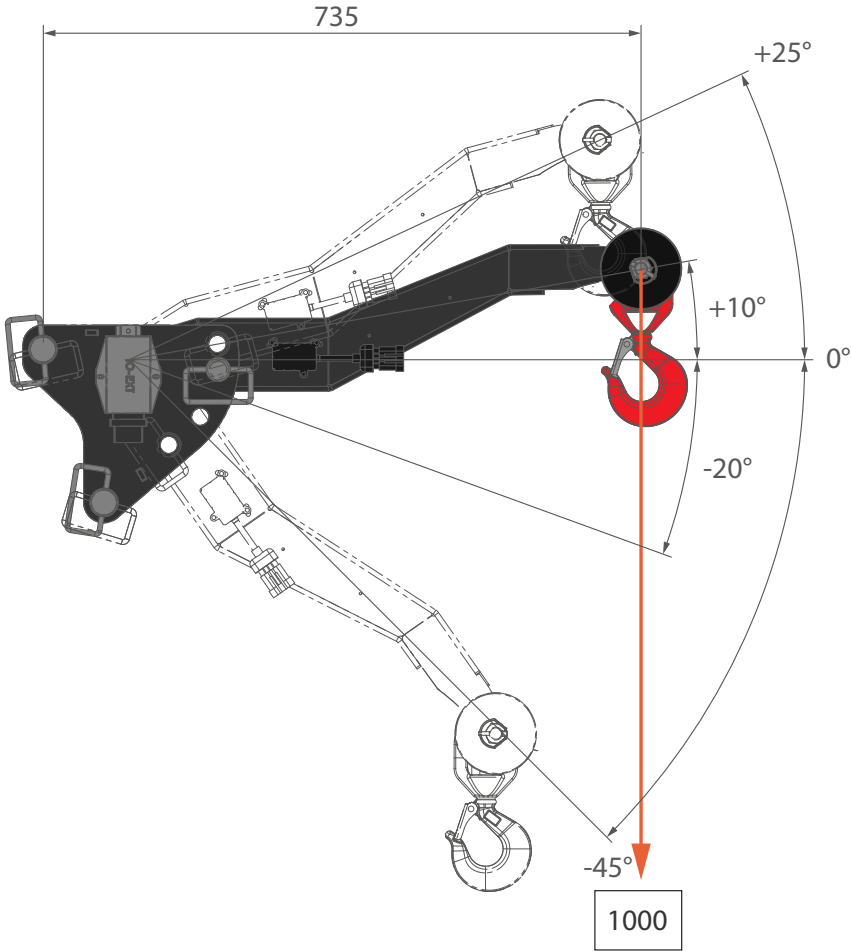
CRANE PERFORMANCE: J5									
L [m]→	2,25	2,9	3,1	3,6	4,1	4,5	4,9	5,3	6,2
0,01	660	660	660	660	660	640	600		
1,1	660	660	660	660	660	640	600		
1,7		380	380	380	380	380	380	380	380
1,9			330	330	330	330	330	330	330
2,4				250	250	250	250	250	250
2,9					180	180	180	180	180
3,3						130	130	130	130
3,7							110	110	110
4,1								100	100
4,9									70
↑S (m)	kg								




CRANE PERFORMANCE: J4									
L [m]→	2,25	2,9	3,1	3,6	4,1	4,5	4,9	5,3	6,2
0,01	660	660	660	630	600	580	540		
1,1	660	660	660	630	600	580	540		
1,7		380	380	380	370	370	370	350	350
1,9			330	330	330	320	320	300	300
2,4				250	250	250	250	240	230
2,9					180	180	180	180	180
3,3						130	130	130	130
3,7							110	110	110
4,1								100	100
4,9									70
↑S (m)	kg								









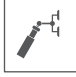

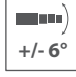


ACCESSORIES FEATURES

JIB1000.GX



	JIB	JIB1000.GX	kg	18
---	-----	------------	----	----

SYMBOLS

	Weight		Electric Engine		Minipicker		Boom Angle
	Max Capacity		Hydraulic Oil		Rear Wheel Load		Boom Length
	Gradeability		Working Temperature		Front Wheel Load		Slewing
	Jib		Glass Manipulator		Travel Speed		Boom horizontal angle +/- 6°
	Hook		Winch		Counterweight		

REMARKS REFERRING TO LOAD CHART

- Load charts are calculated according to EN 13000:2014.
- Load charts have been calculated considering a wind load of 13,8 m/s, a sail area of 1m²/t and a drag coefficient of 1,2.
- Hookblocks and hooks weight is part of the load and therefore it must be deducted from the lifting capacities.
- Working radius is measured from the front plate of the frame.
- The supplied Technical Data document is part of the use and maintenance manual.
- All specifications and features herein described can be changed without prior advice.
- All indicated data are indicative only and are not binding as crane performs differently depending on its use.



Jekko s.r.l.

Via Campardone, 1 - 31014 Colle Umberto (TV) - Italy
info@jekko.it - www.jekko-cranes.com

18.09.2024 | Rev0.0

SERIAL NUMBER: