



# MPK20R

BATTERY POWERED



## 2000 KG HOOK



## 1 TON RUNNER JIB



## REMOTE CONTROL



- ✓ Proportional & Precise
- ✓ Intuitive layout
- ✓ Spare battery on board

## + WIRE CONTROL

- ✓ Intuitive wire control

## 990 KG MANIPULATOR



## 600 KG MANIPULATOR

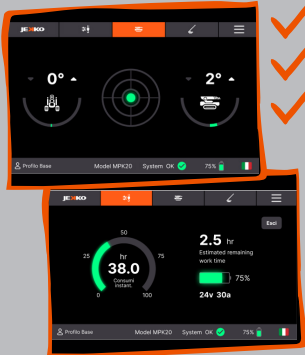


## TILLER BAR

- ✓ All functions available
- ✓ On-off movement



## JEKKO TOUCH EXPERIENCE



- ✓ USB port for easy updates
- ✓ 5" IP66 touch screen
- ✓ USB port for phone charging

## MAIN BOOM

- ✓ 2000 kg MAX capacity
- ✓ 6,8 m MAX height
- ✓ 4,1 m MAX radius
- ✓ 2 hydraulic + 1 manual extensions
- ✓ High-resistance steel



## LONG-LASTING BATTERY



- ✓ Lead-acid batteries
- ✓ 24 V - 420 Ah
- ✓ 110V - 220V charger
- ✓ Battery charger on-board

## WINCH



- ✓ 700 kg single line
- ✓ Up to 125 m rope

$\pm 6^\circ$  ROTATION

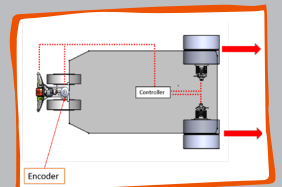
$+60^\circ$

$-20^\circ$

## BIG TOOL BOX

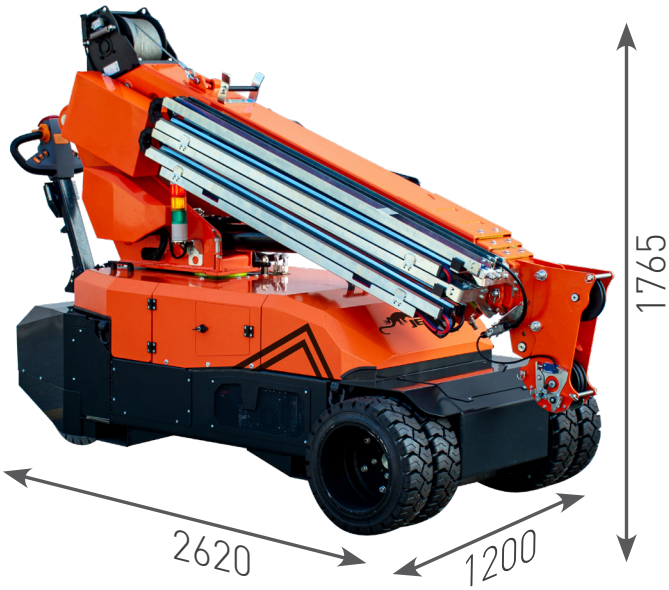
## WHEELS

- ✓ Twin wheels
- ✓ Dual drive electronic differential





## DIMENSIONS (mm)

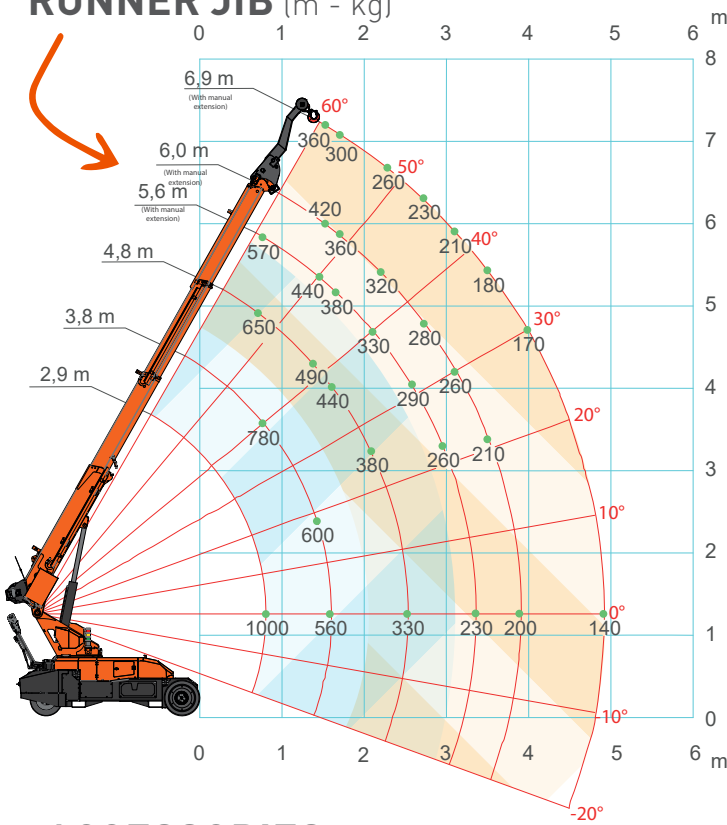


SCAN FOR MORE TECHNICAL DATA

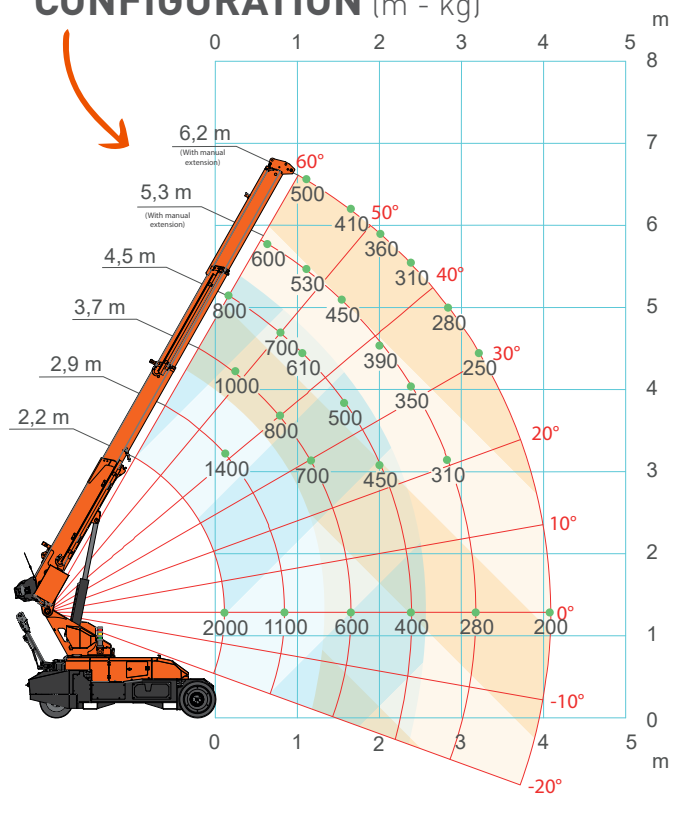
	Kg
MPK20	1452
Counterweight	500
Runner Jib	18



## LOAD CHART WITH RUNNER JIB (m - kg)



## LOAD CHART WITH HOOK CONFIGURATION (m - kg)



## ACCESSORIES

### JVM10EV

990 kg glass manipulator

### JVM06EV

600 kg glass manipulator

### 1000 kg RUNNER JIB